

Mountain Top[®] Alu Liner

Installation manual

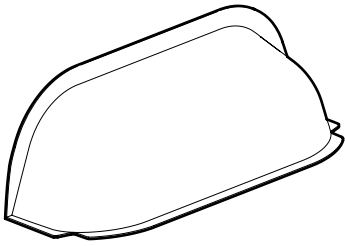


DOWNLOAD PDF



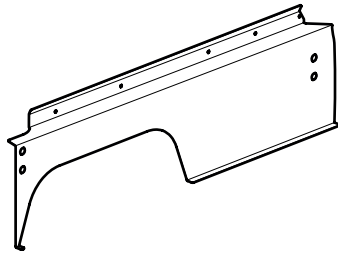
Parts

A



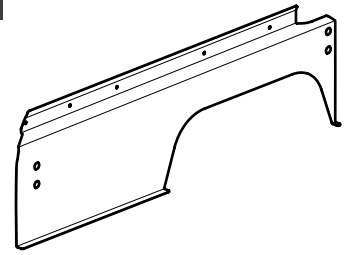
x 2

B



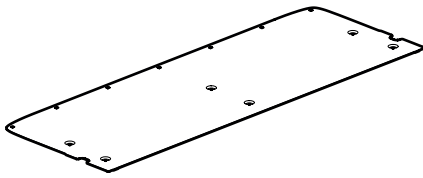
x 1

C



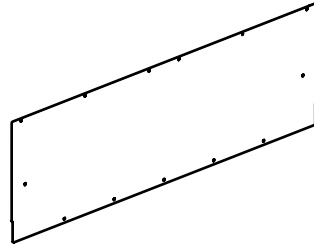
x 1

D



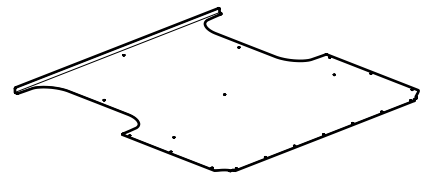
x 1

E



x 1

F

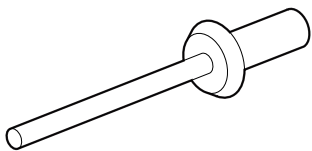


x 1



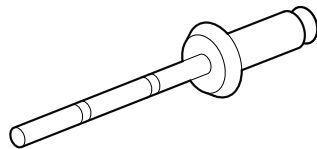
Kit

G



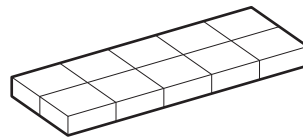
x 42

G2



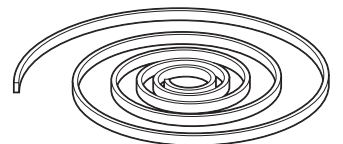
x 7

H



x 1

I

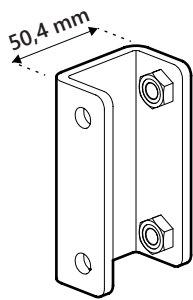


x 1



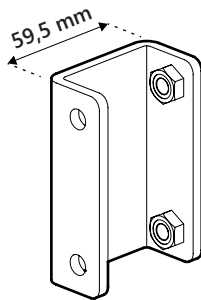
Kit

J



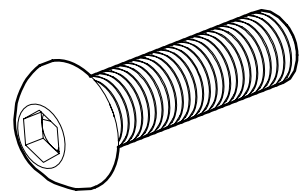
x 2

K



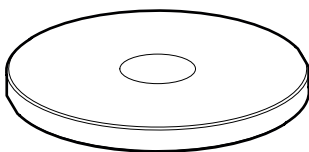
x 2

L



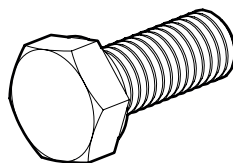
x 8

M



x 8

N



x 8

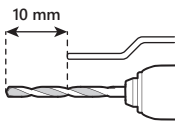
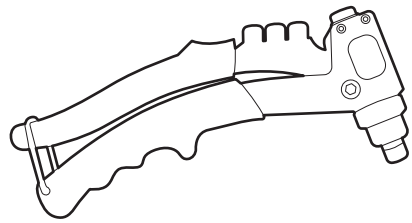
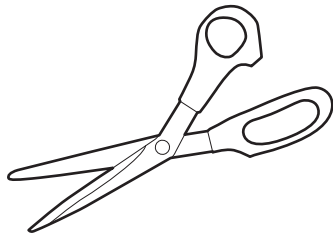
O



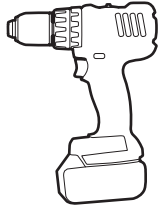
x 8



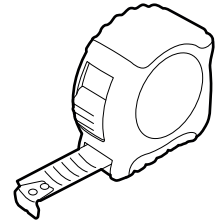
Tools and materials needed



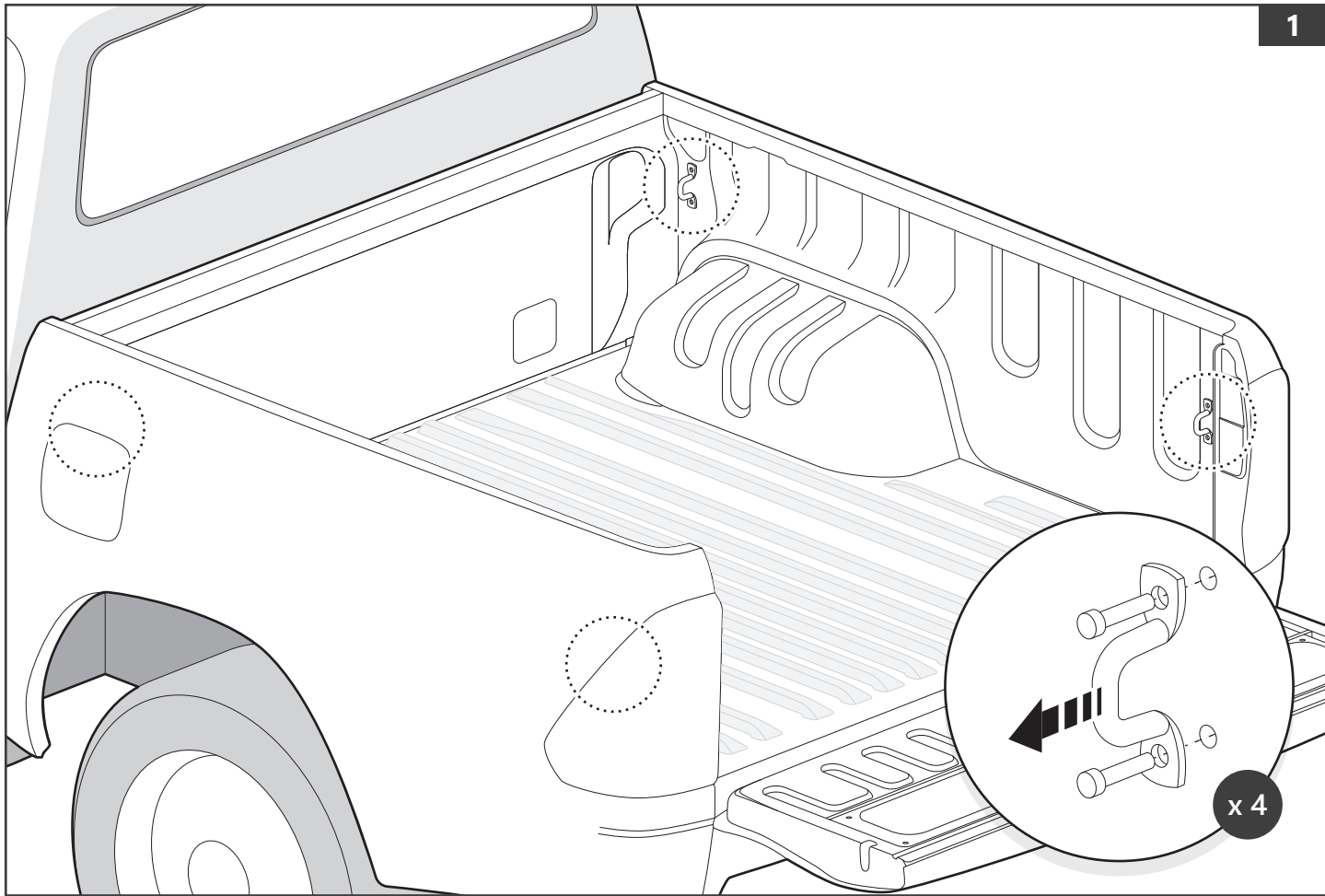
Ø 4,1 mm



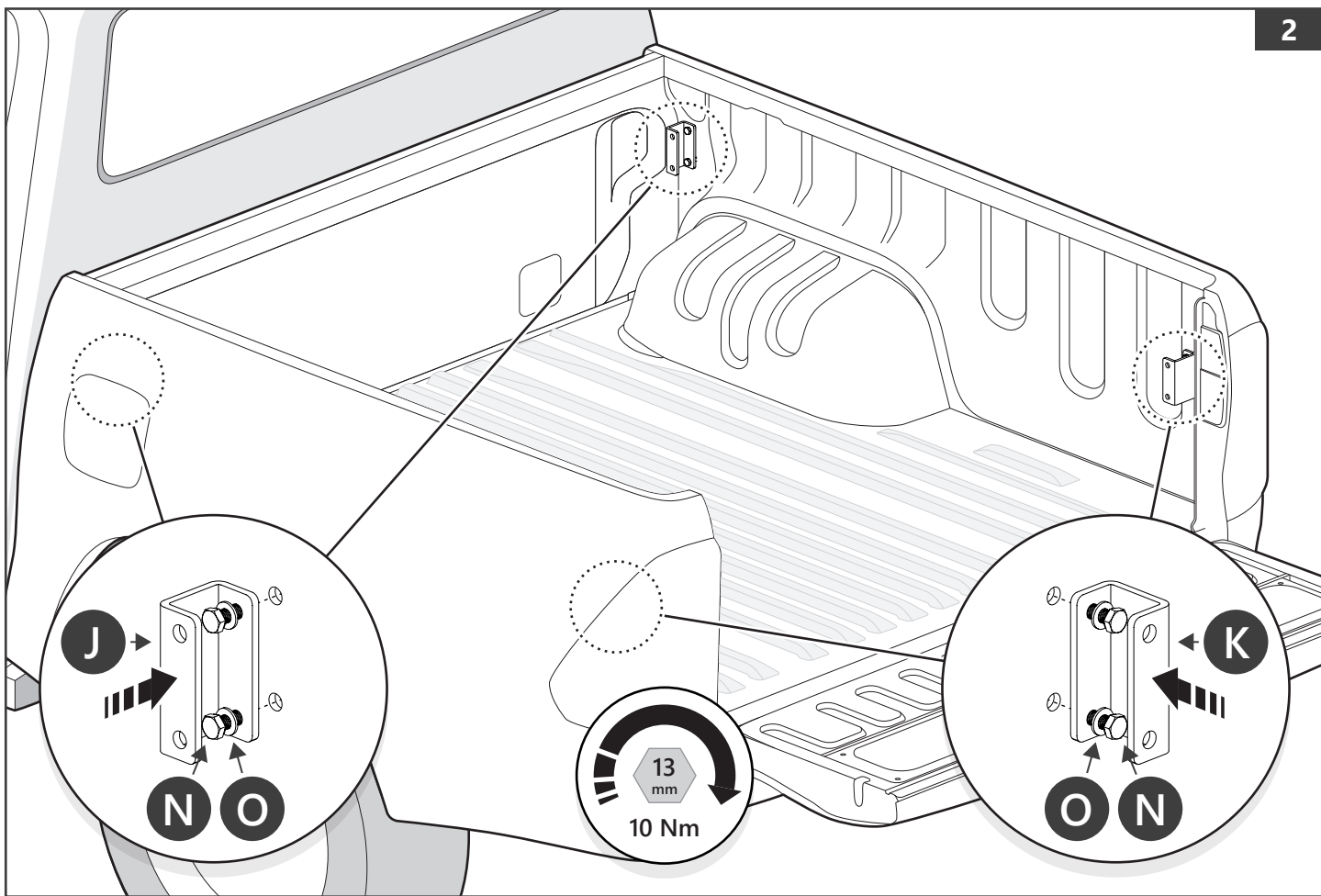
Rust protection
Rostschutzmittel
Anti-rouille
Anti roest

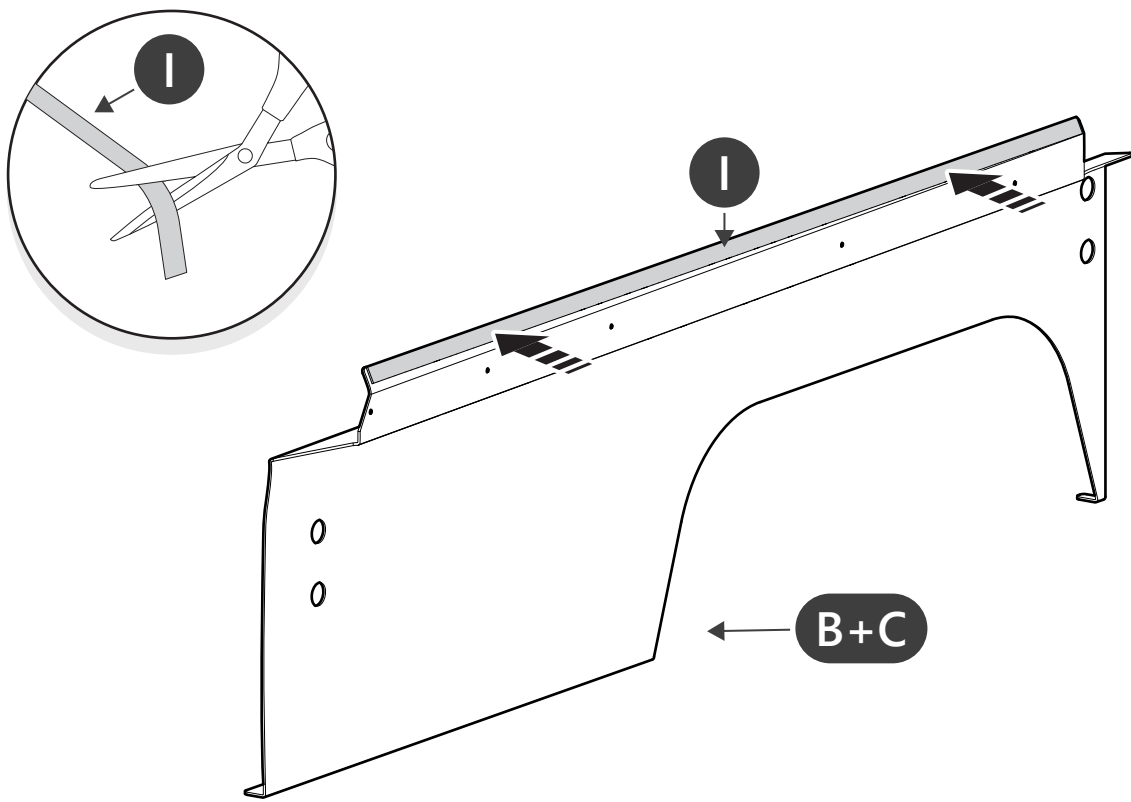
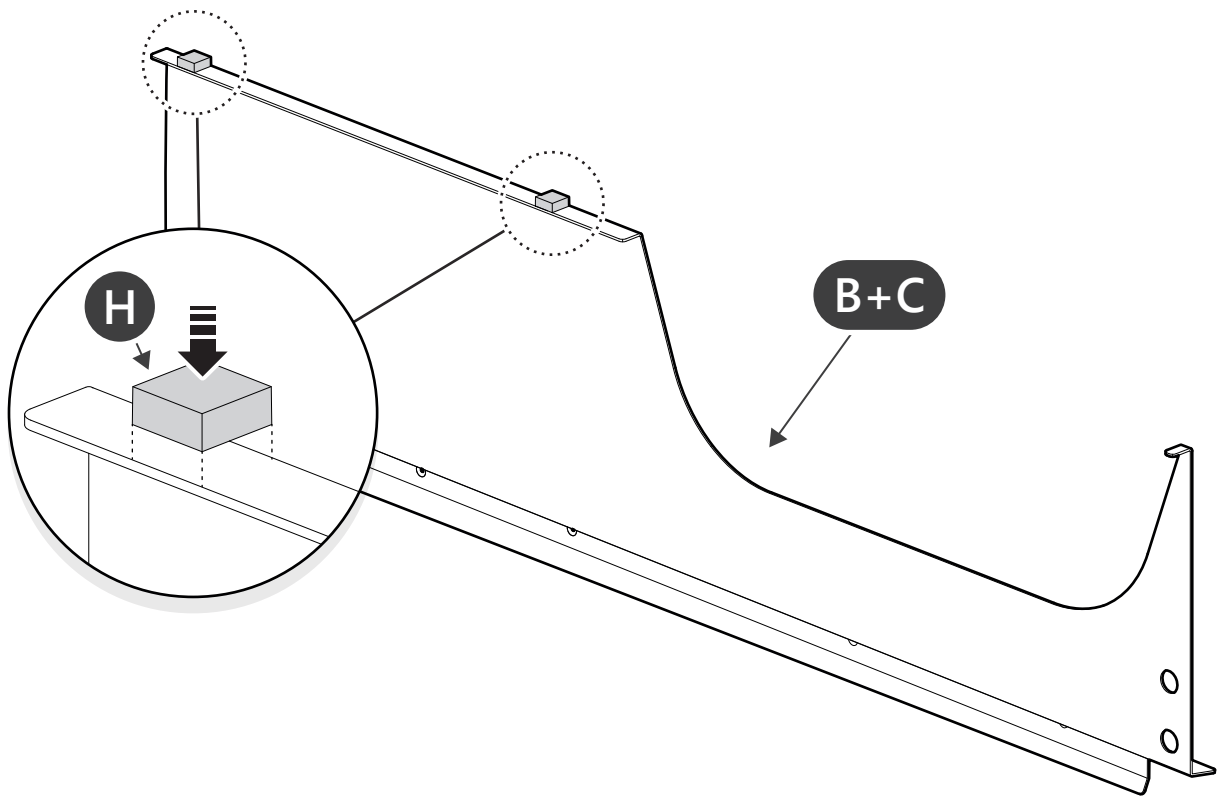


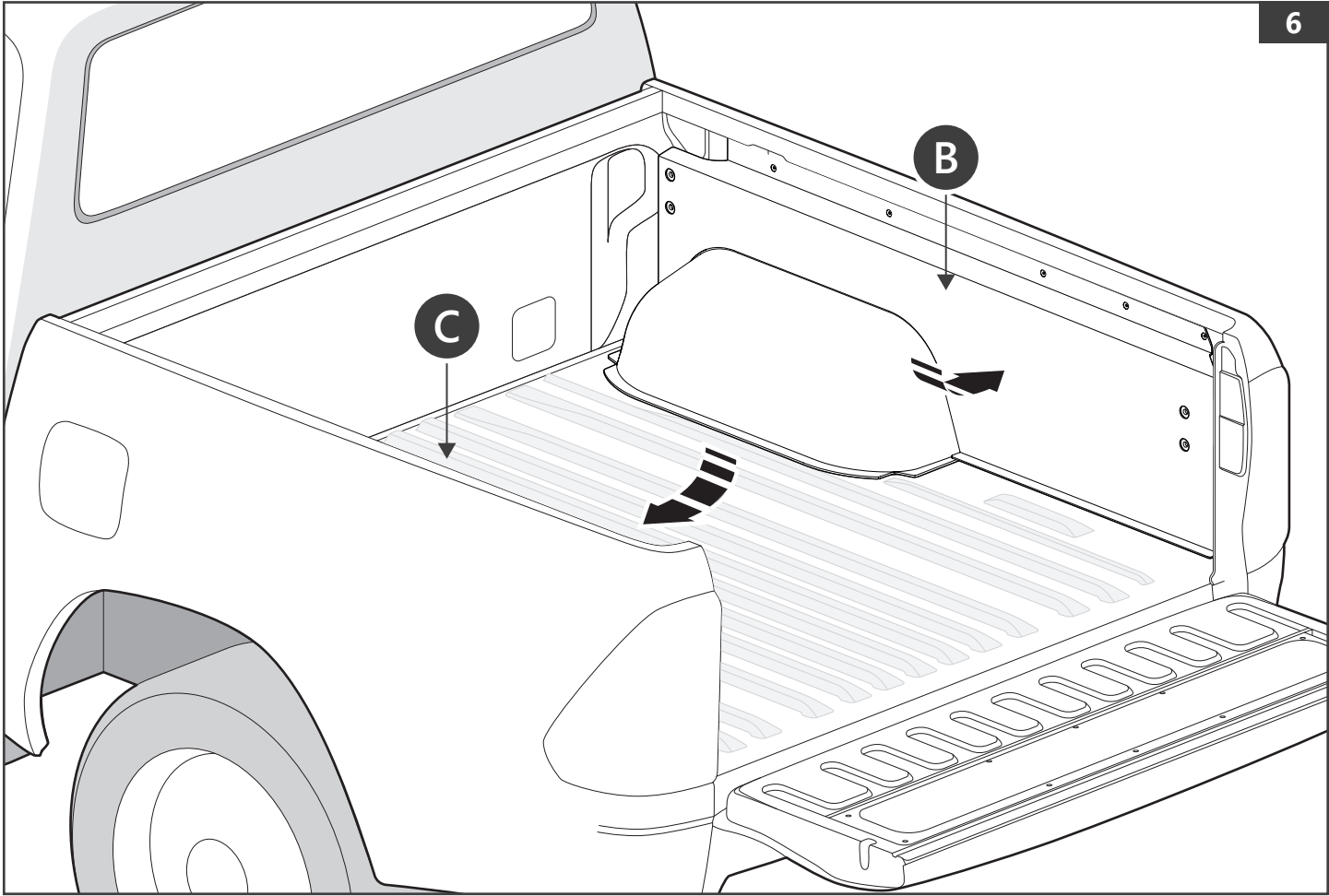
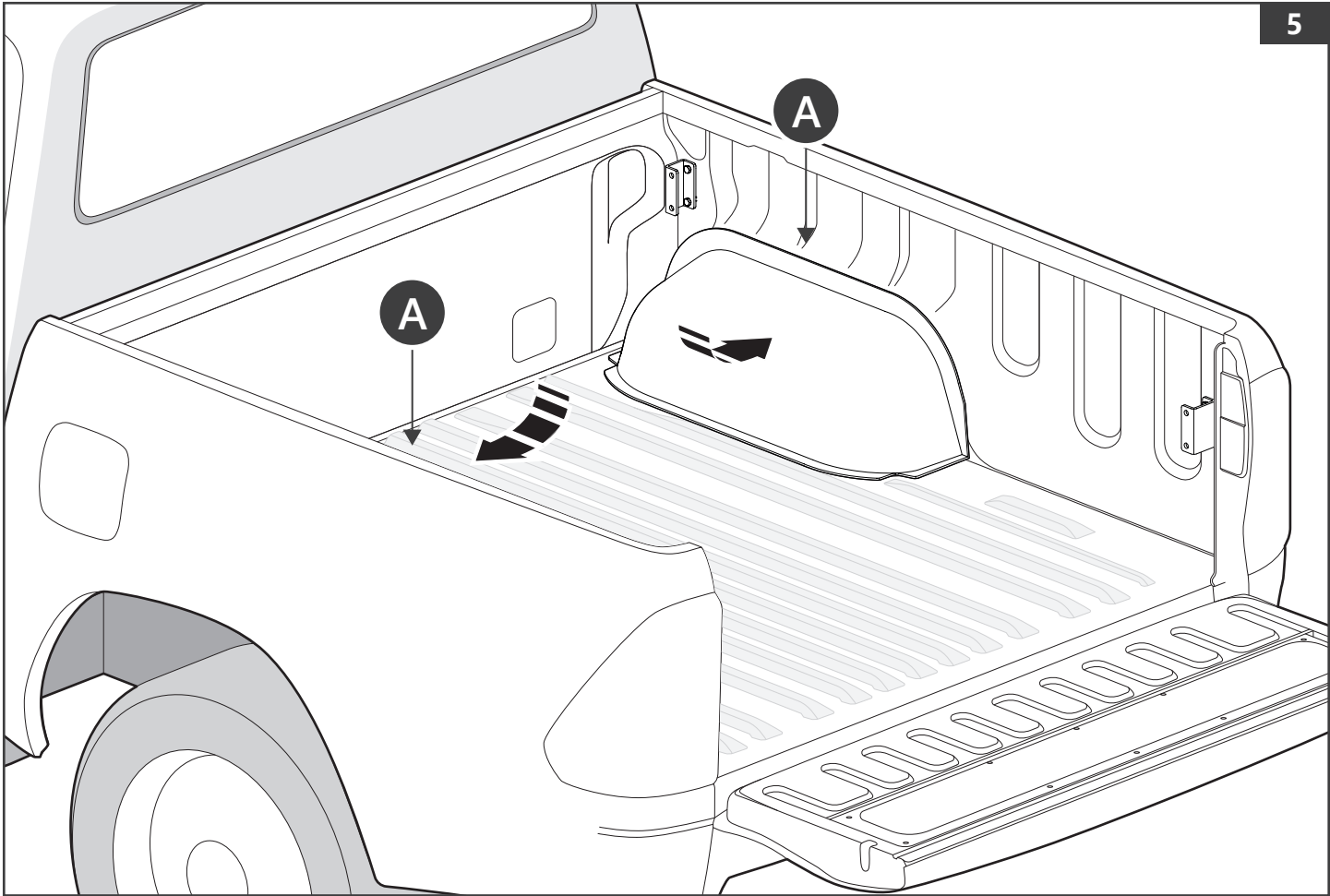
1

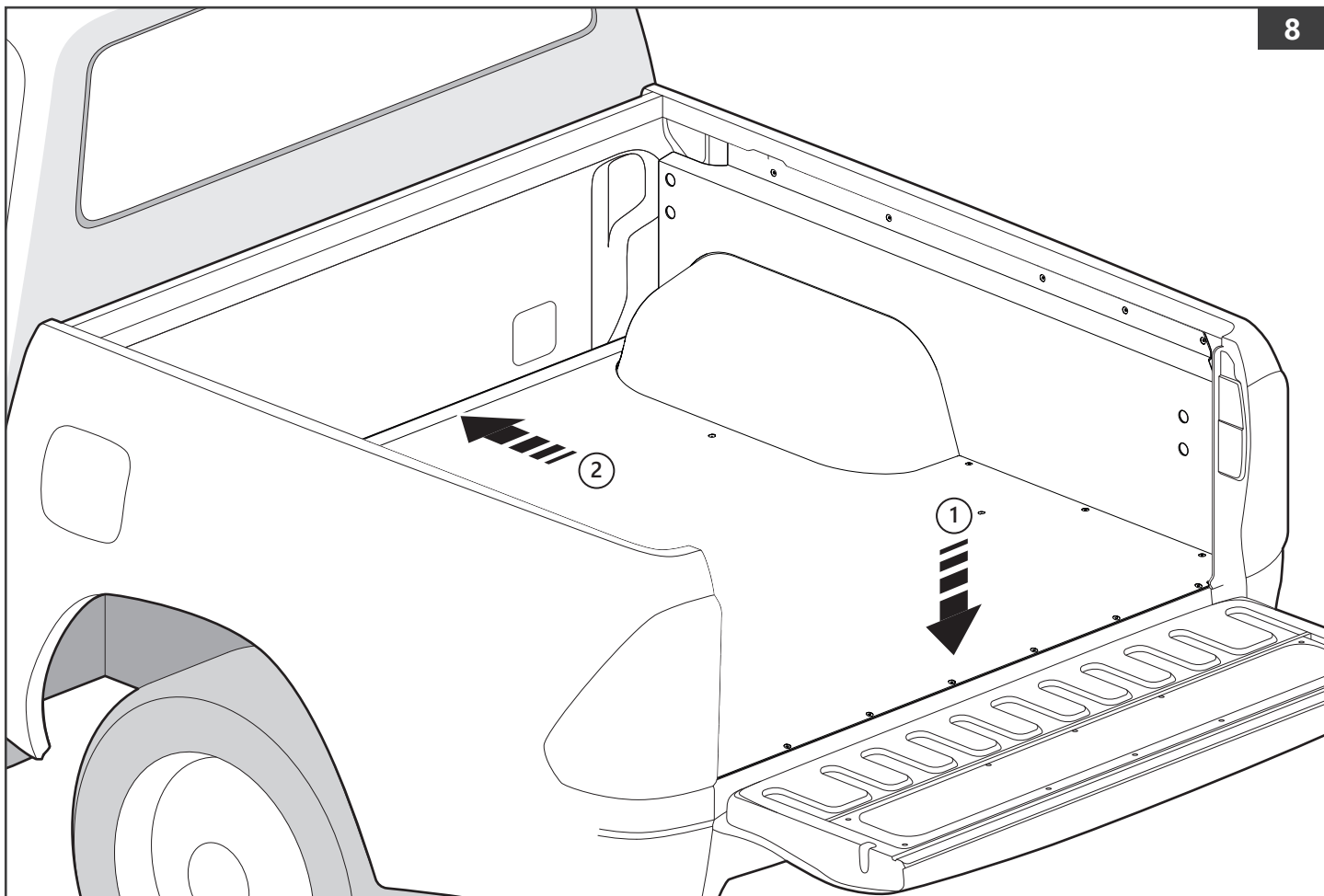
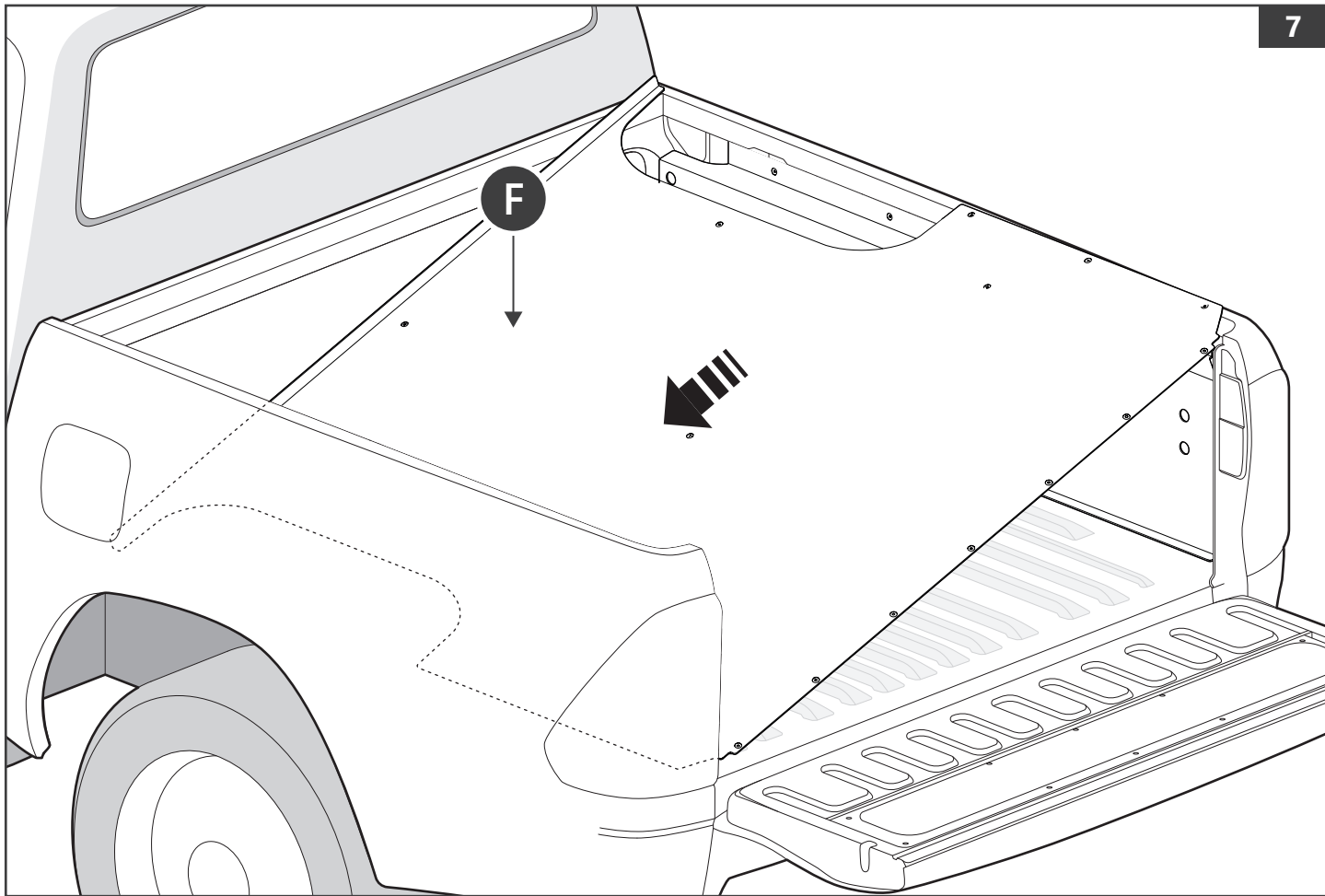


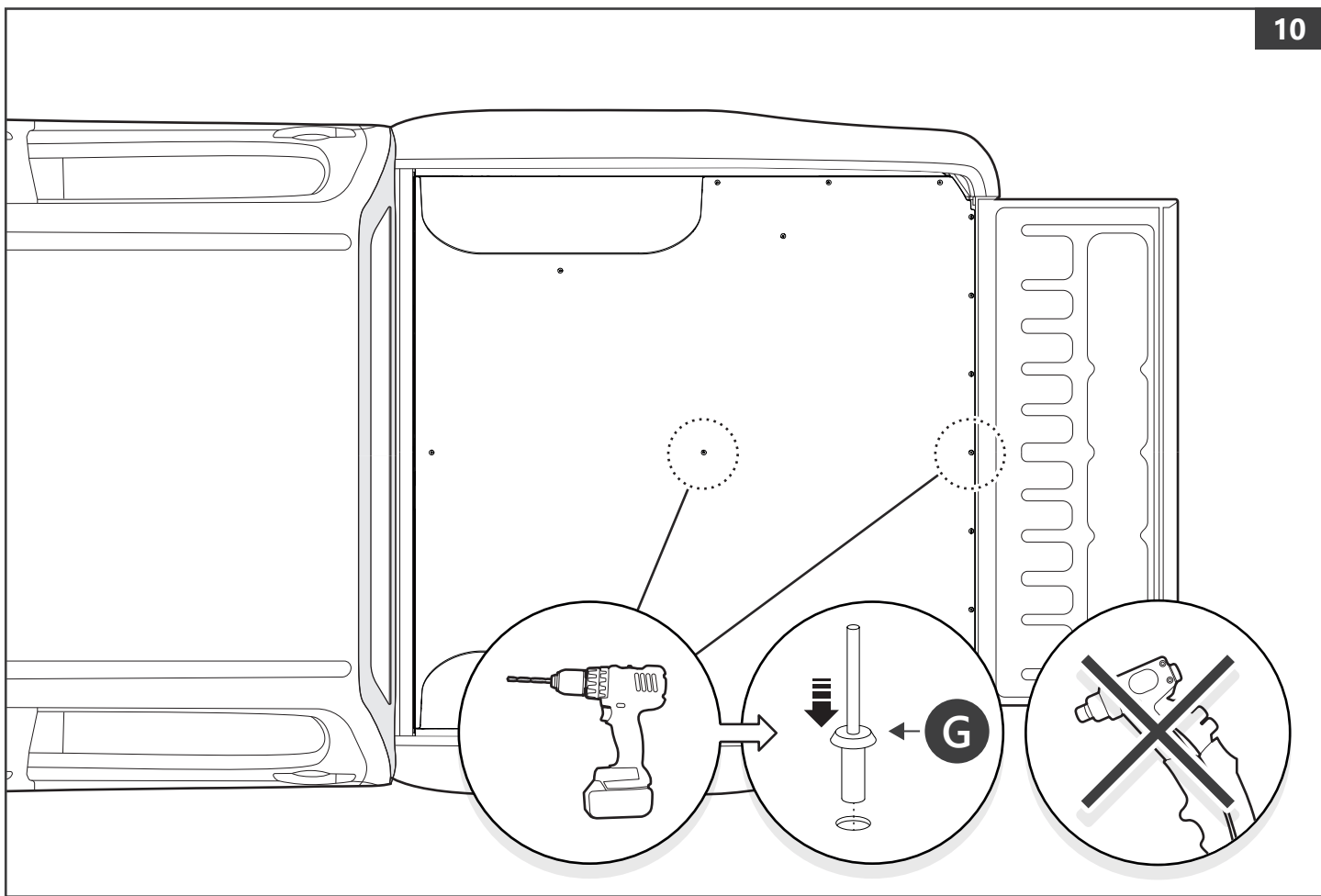
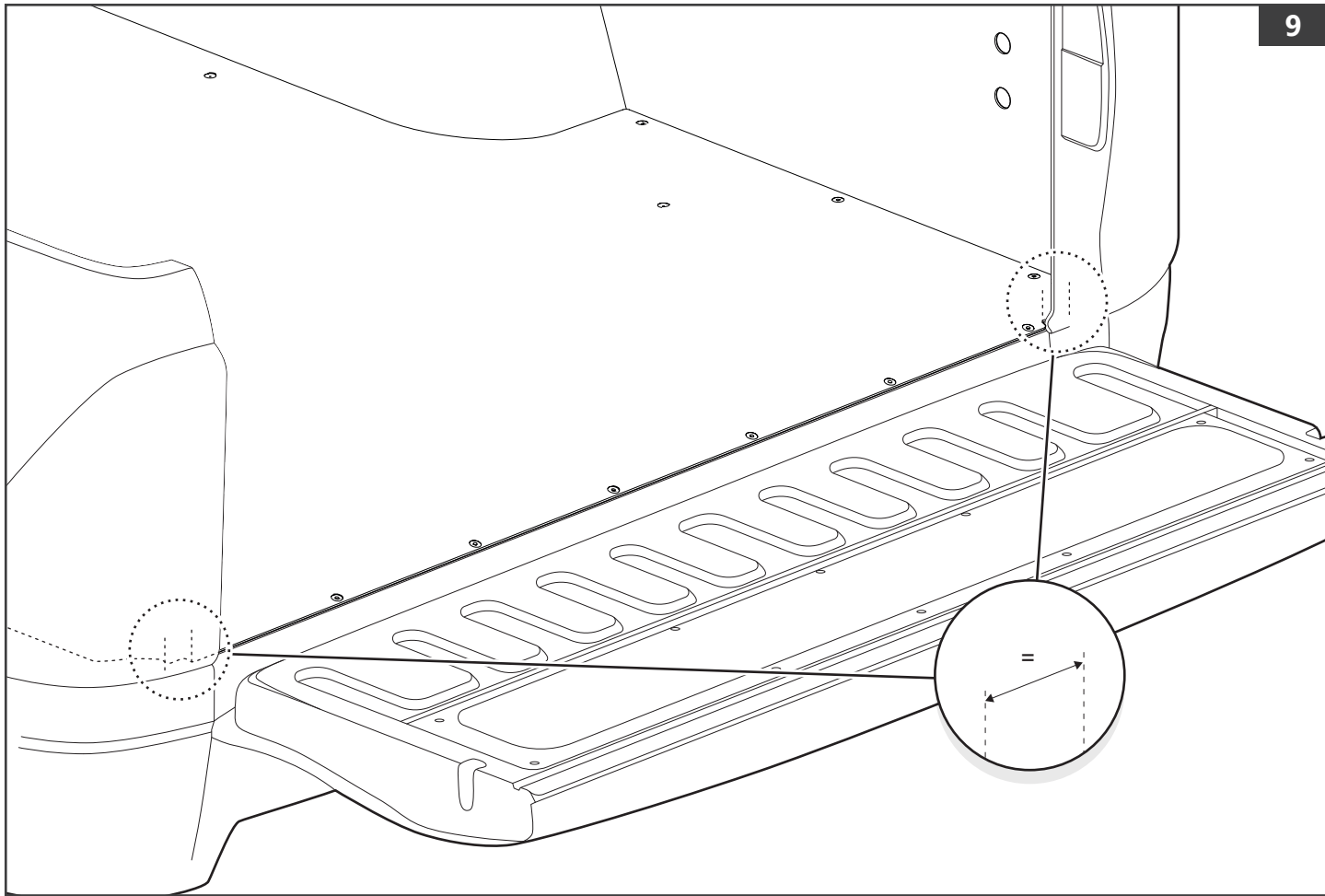
2

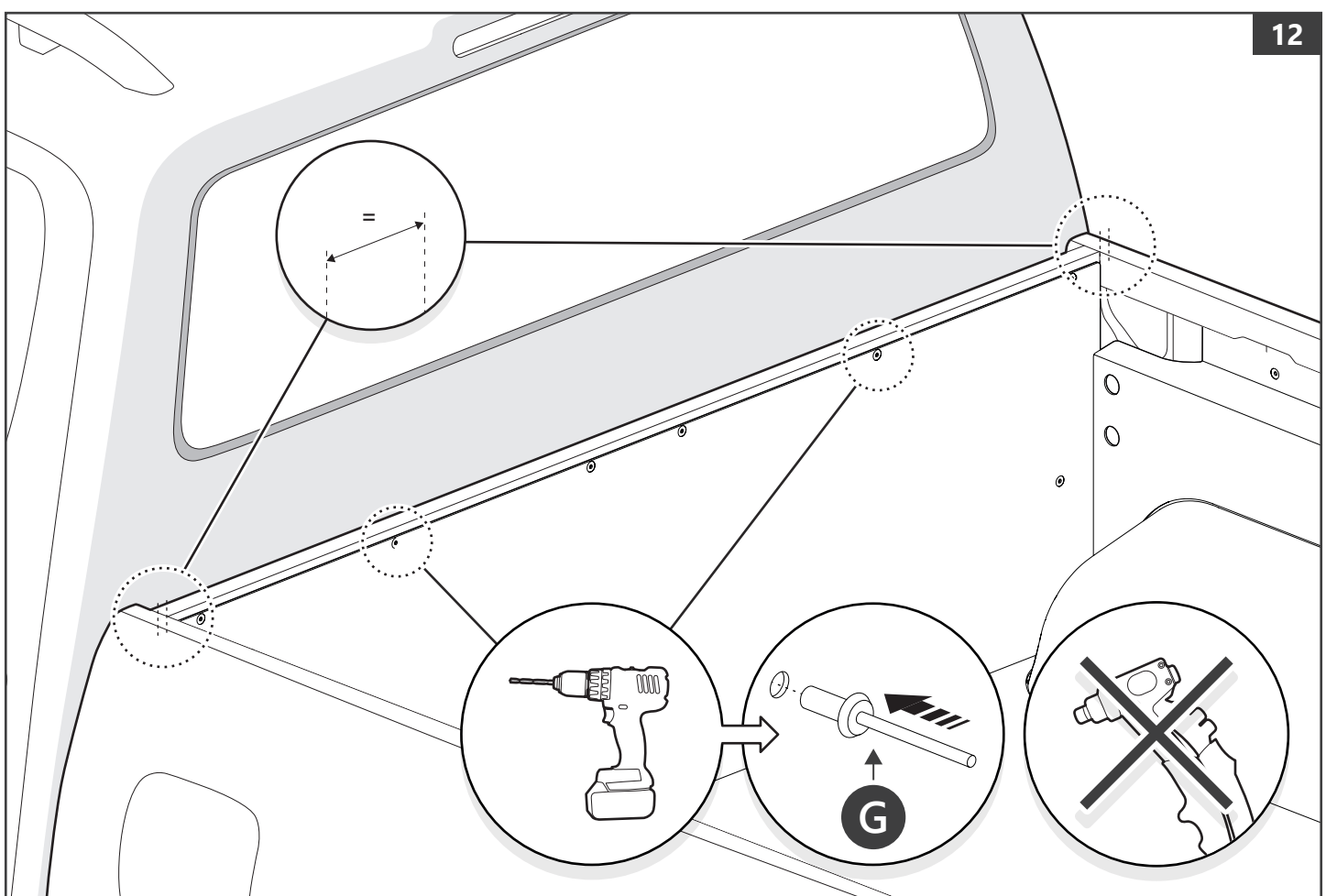
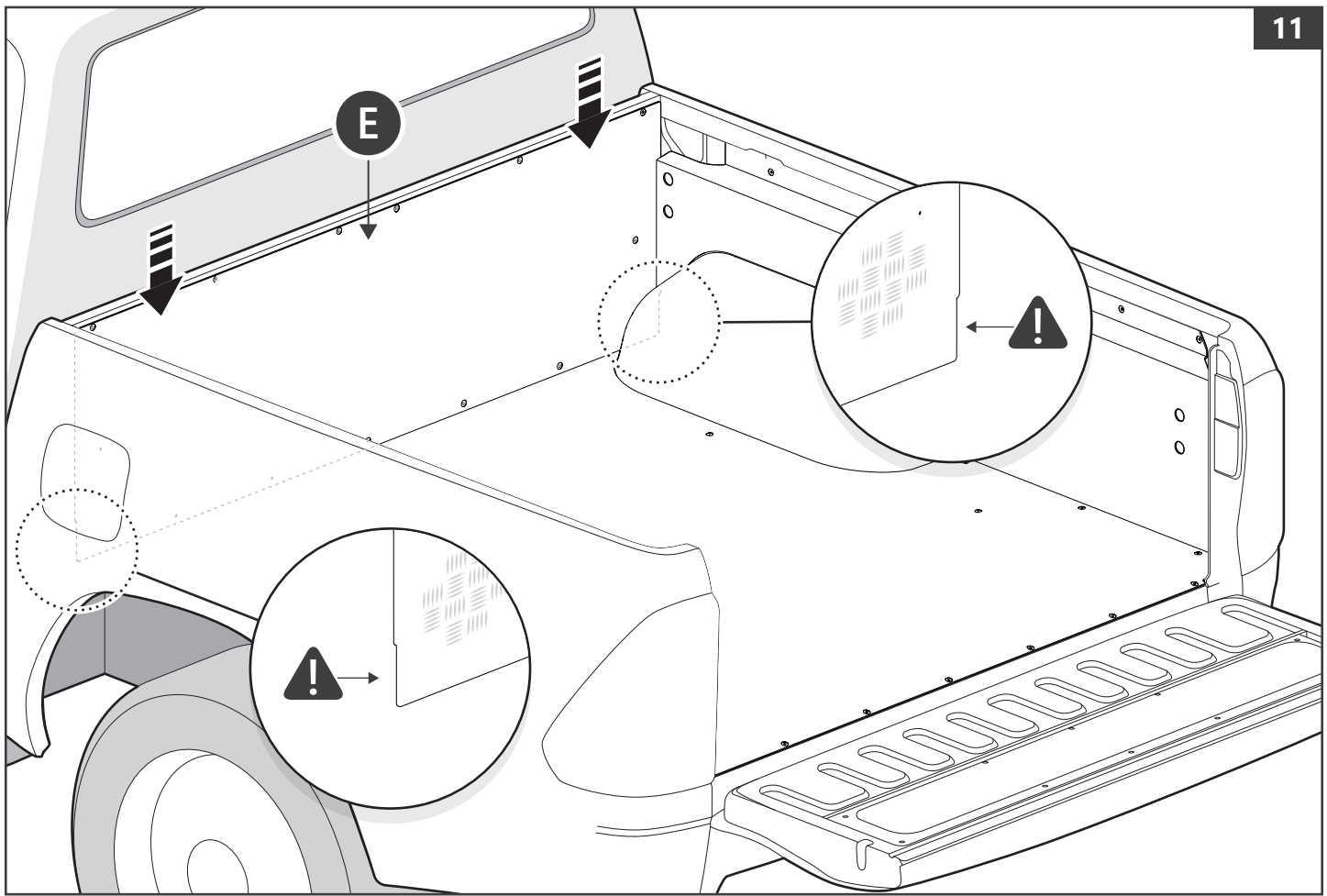


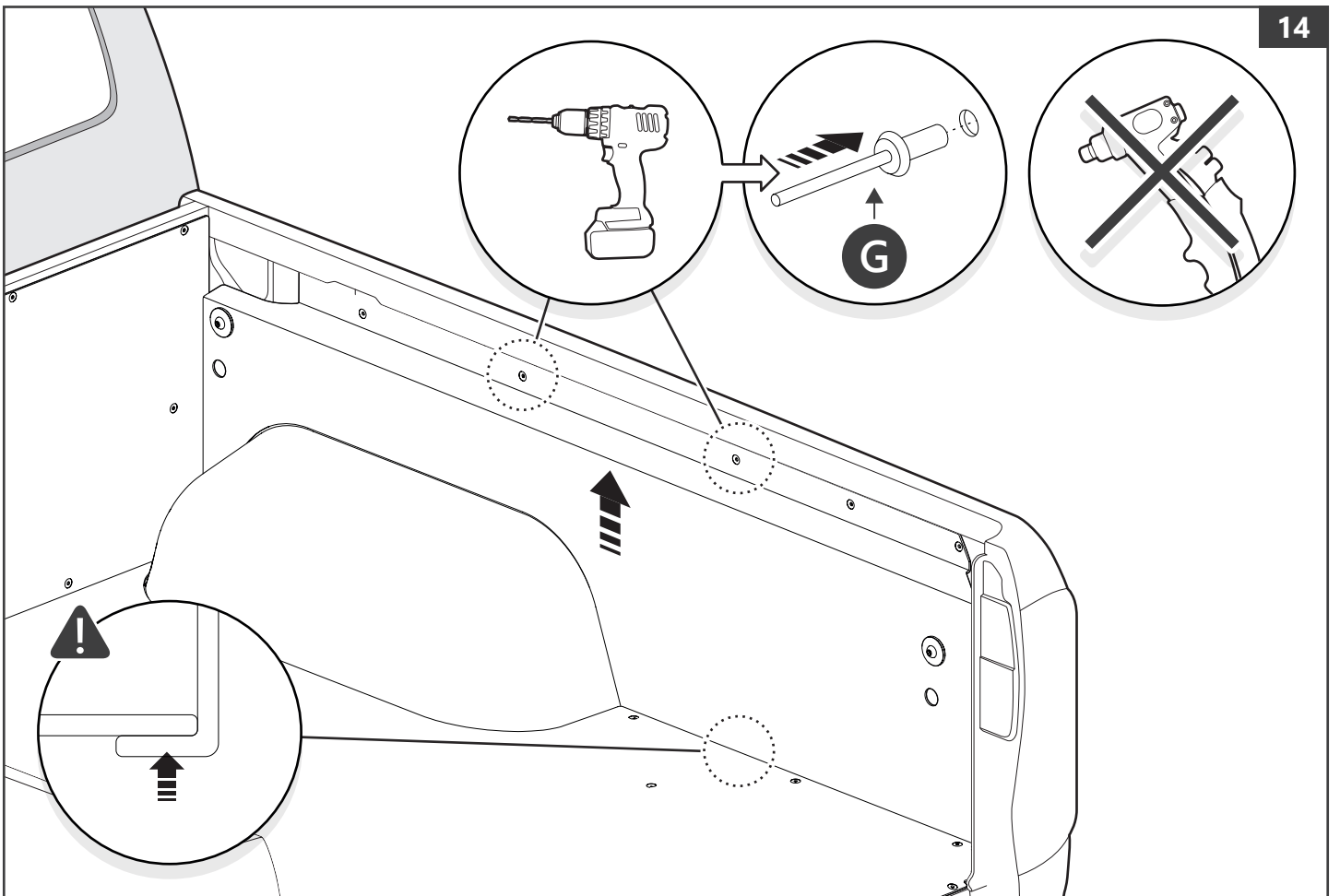
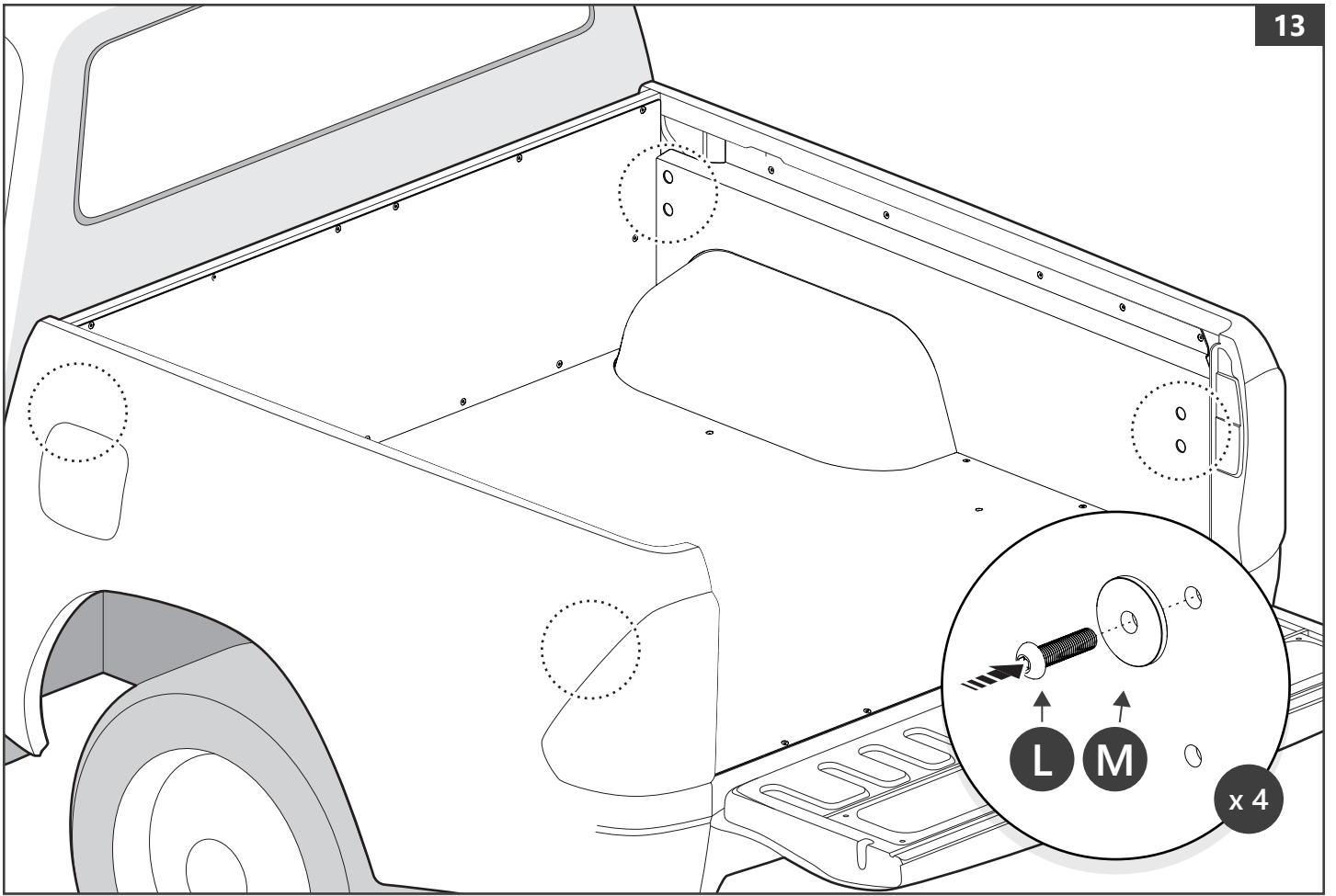


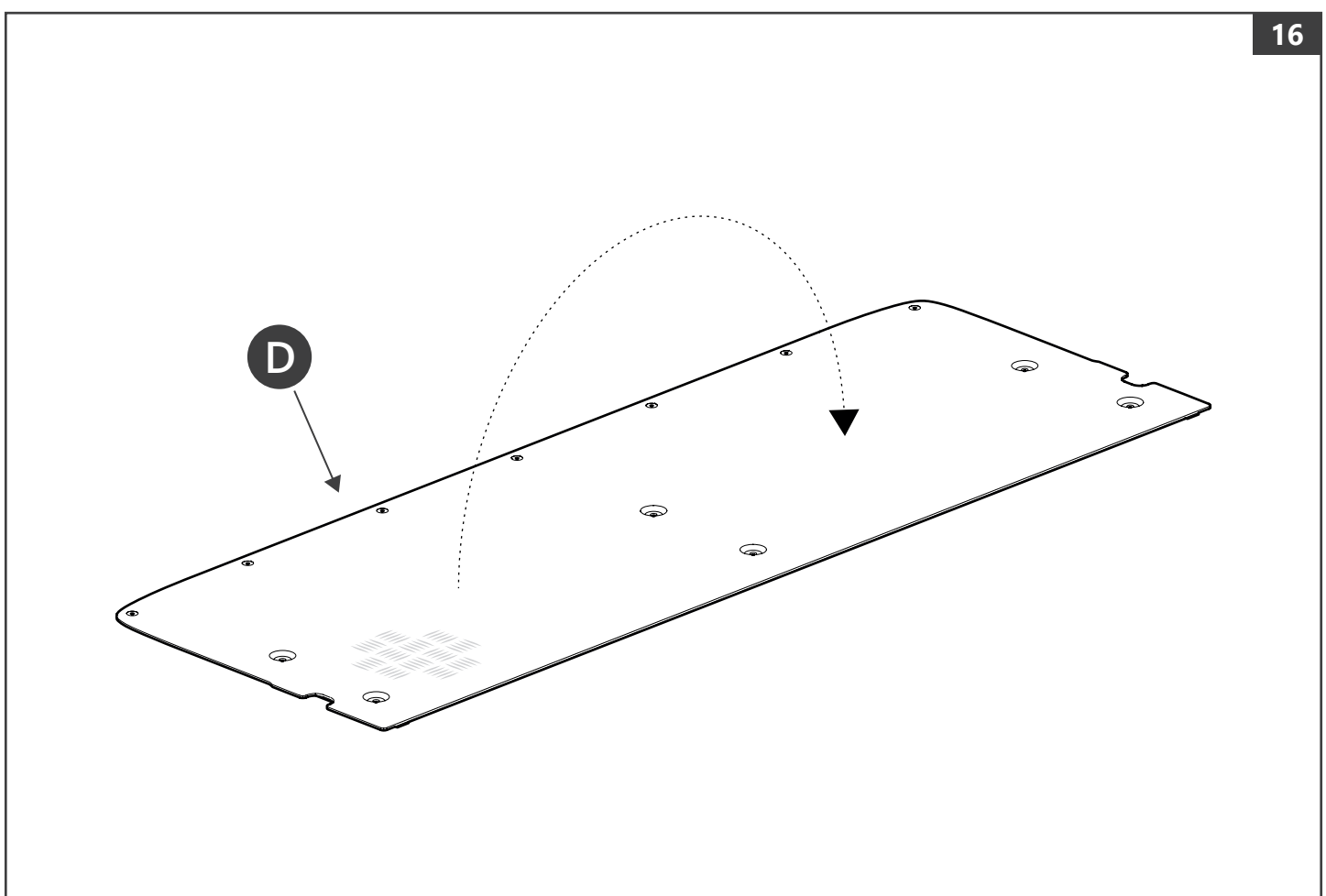
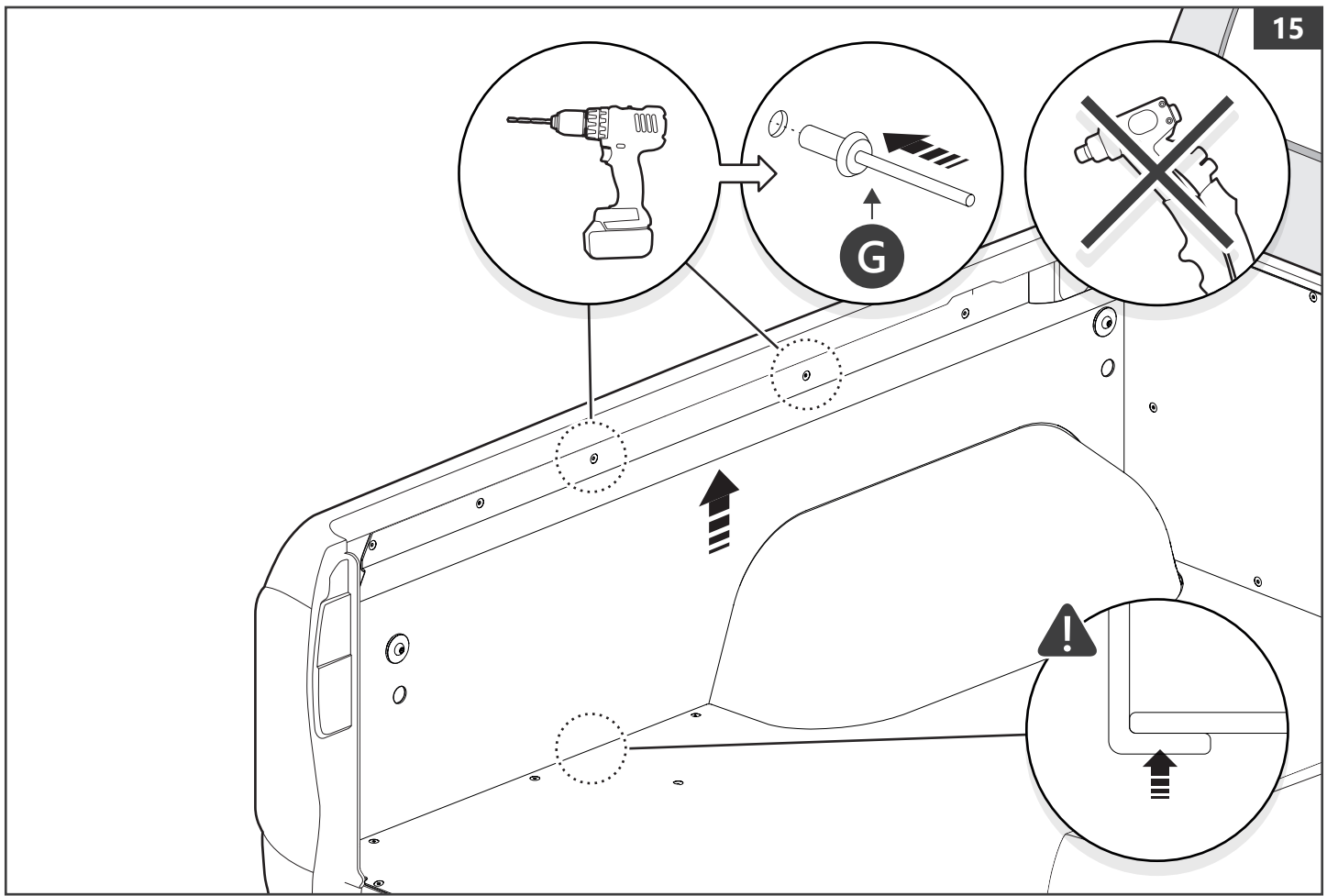


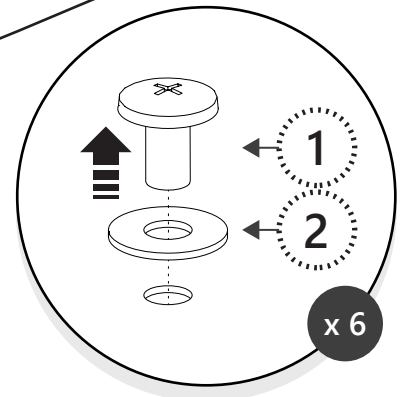
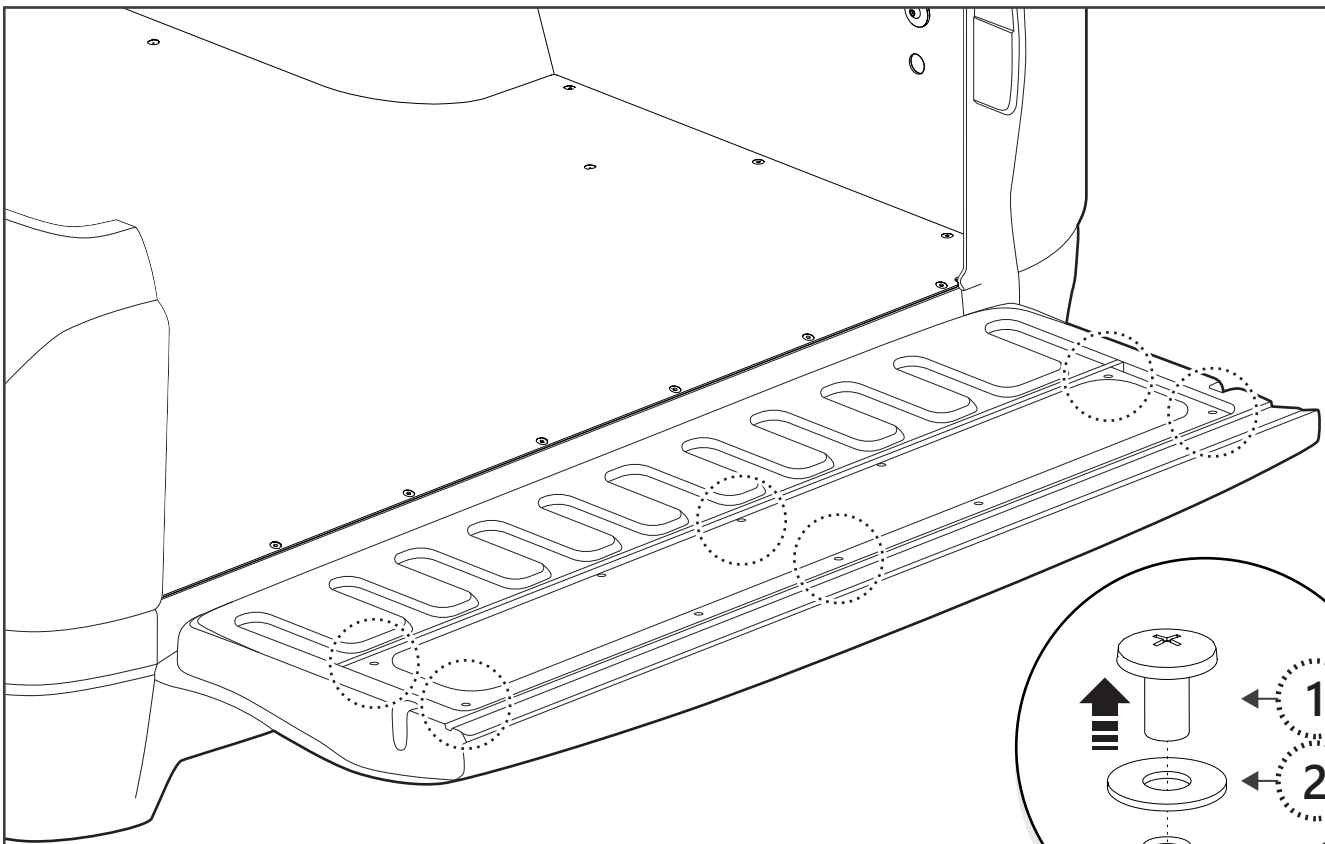
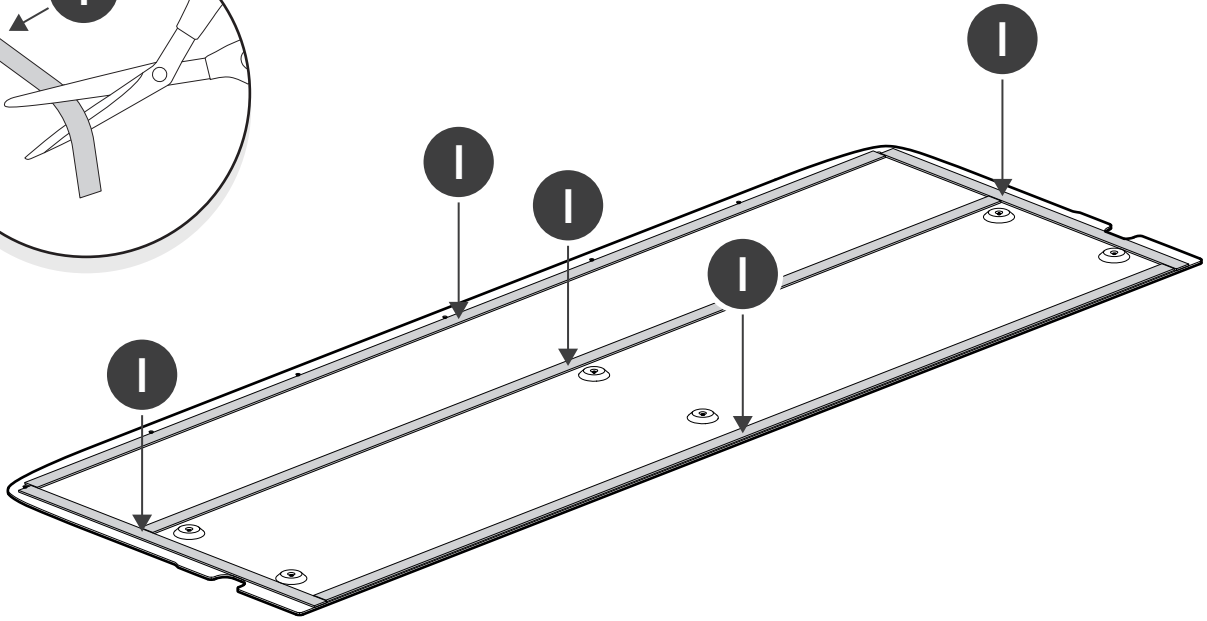
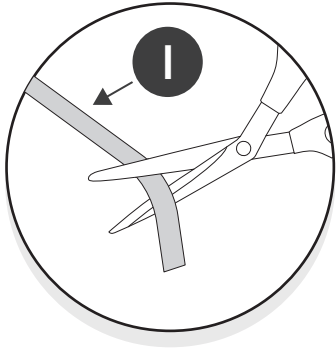


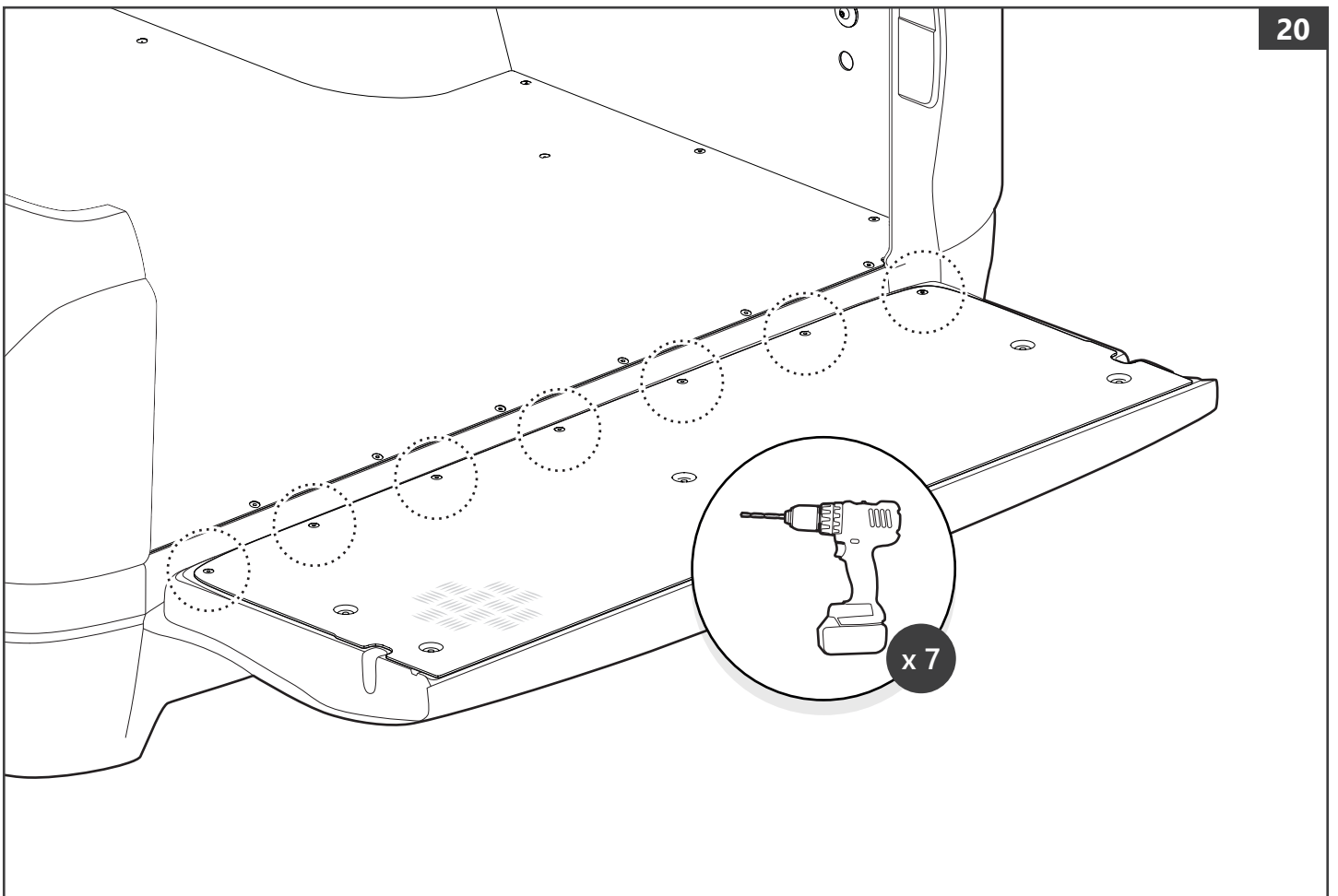
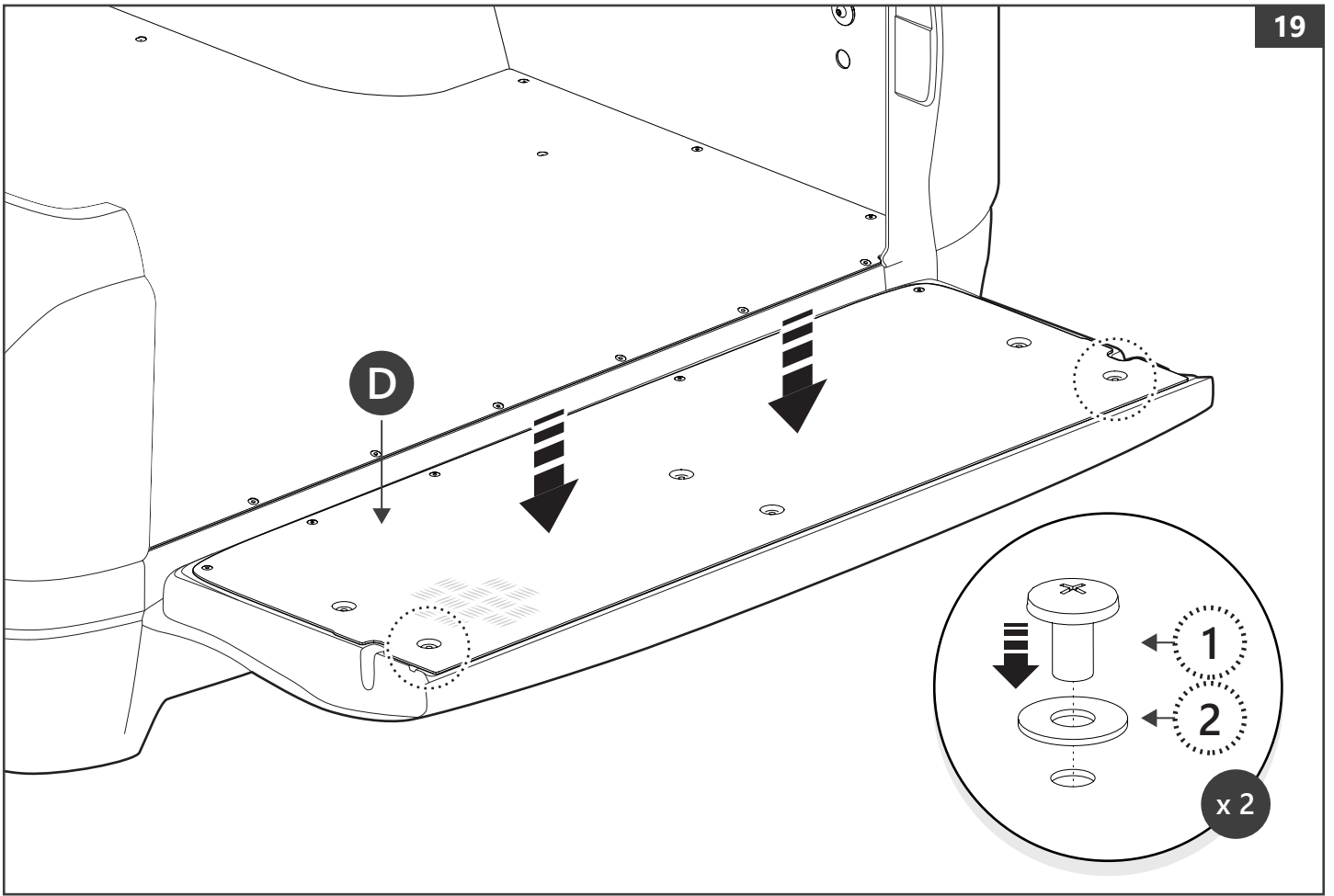


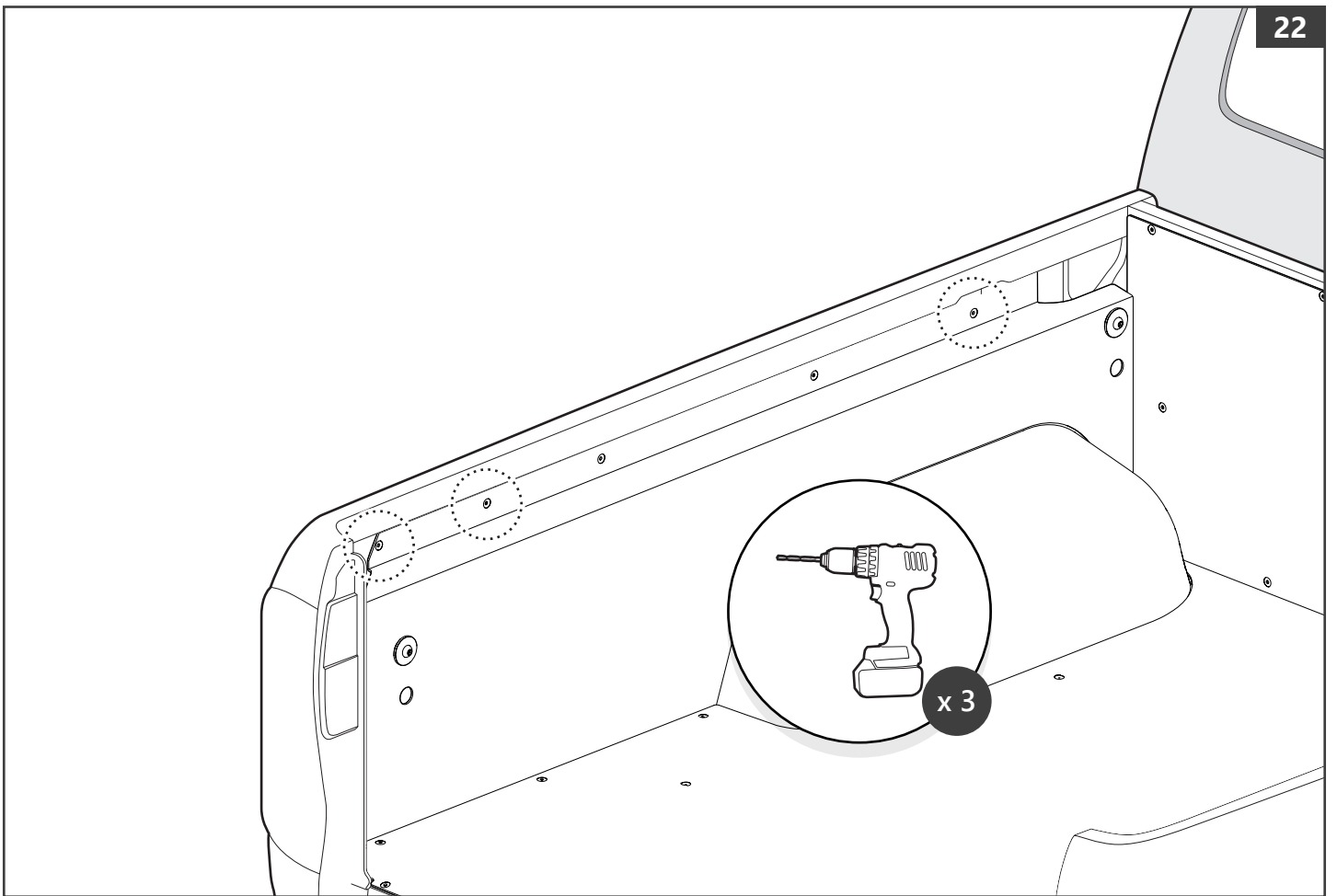
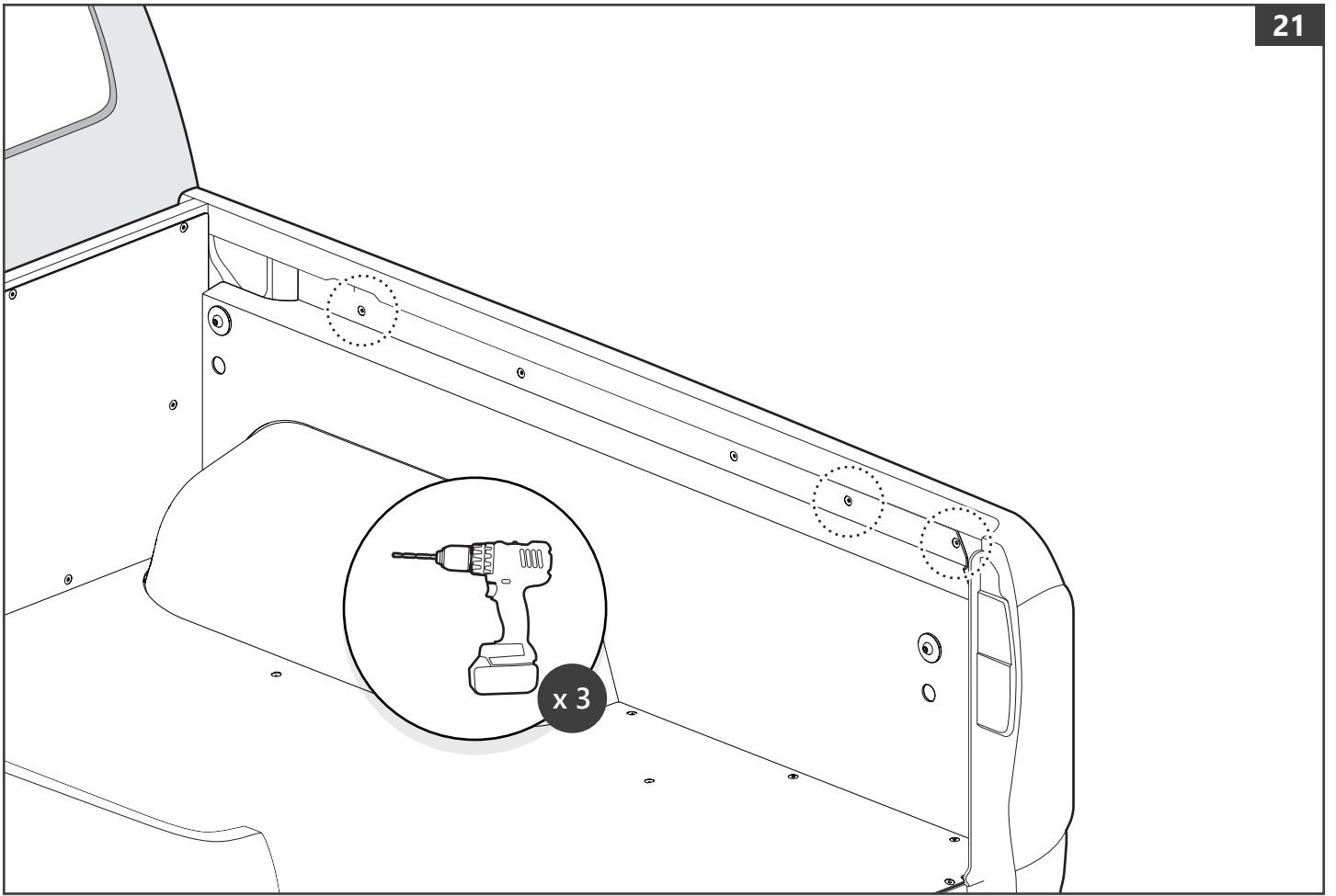


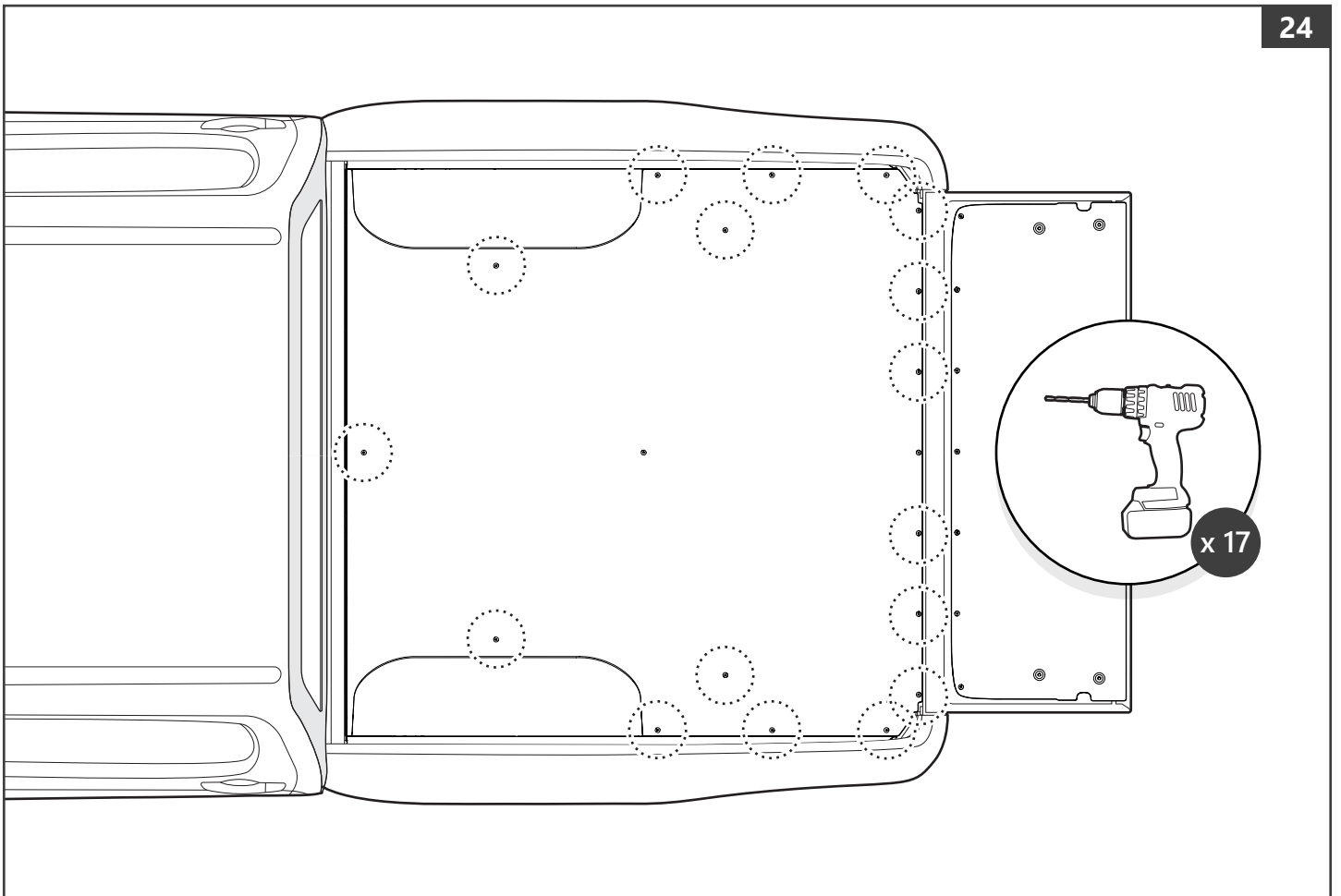
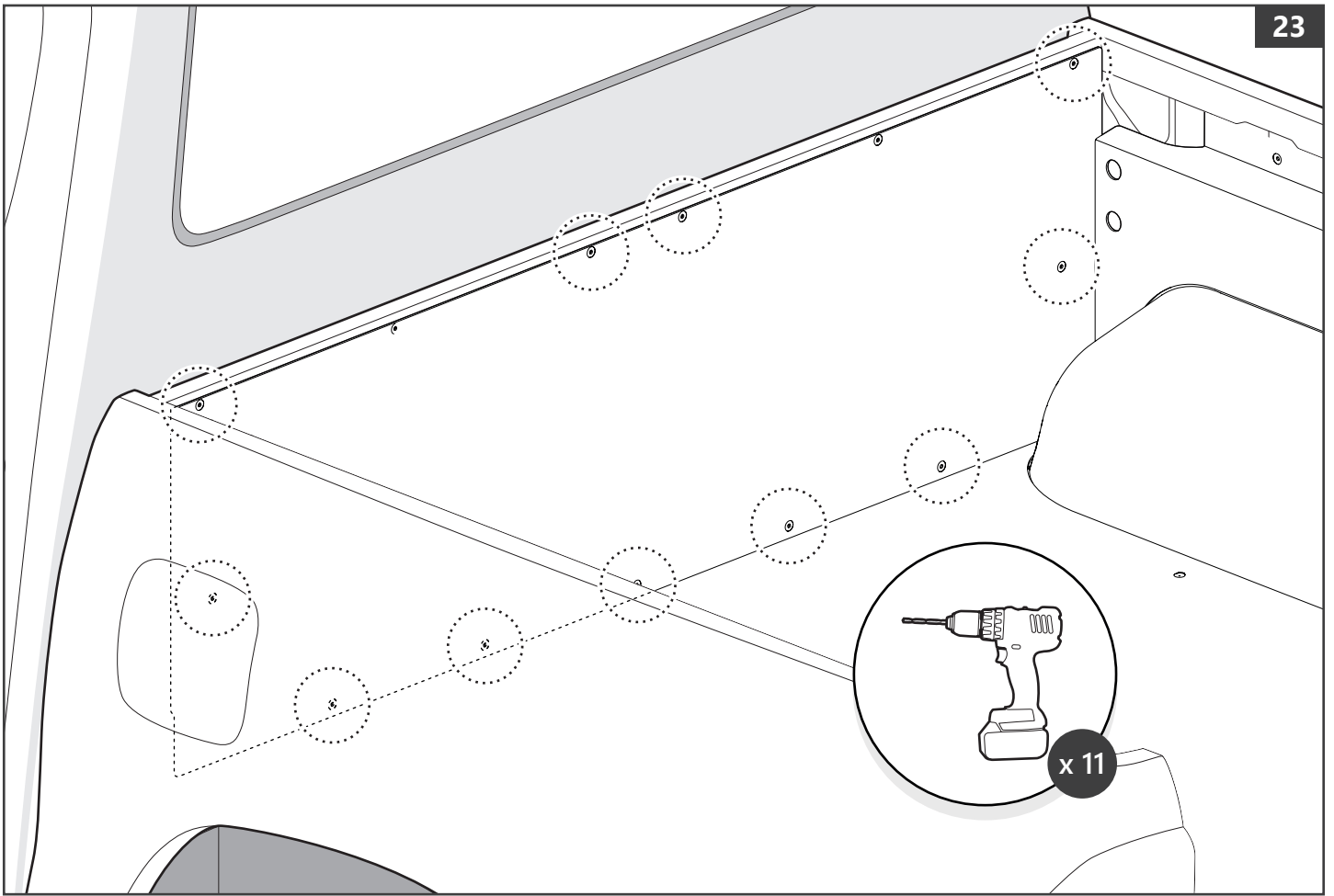


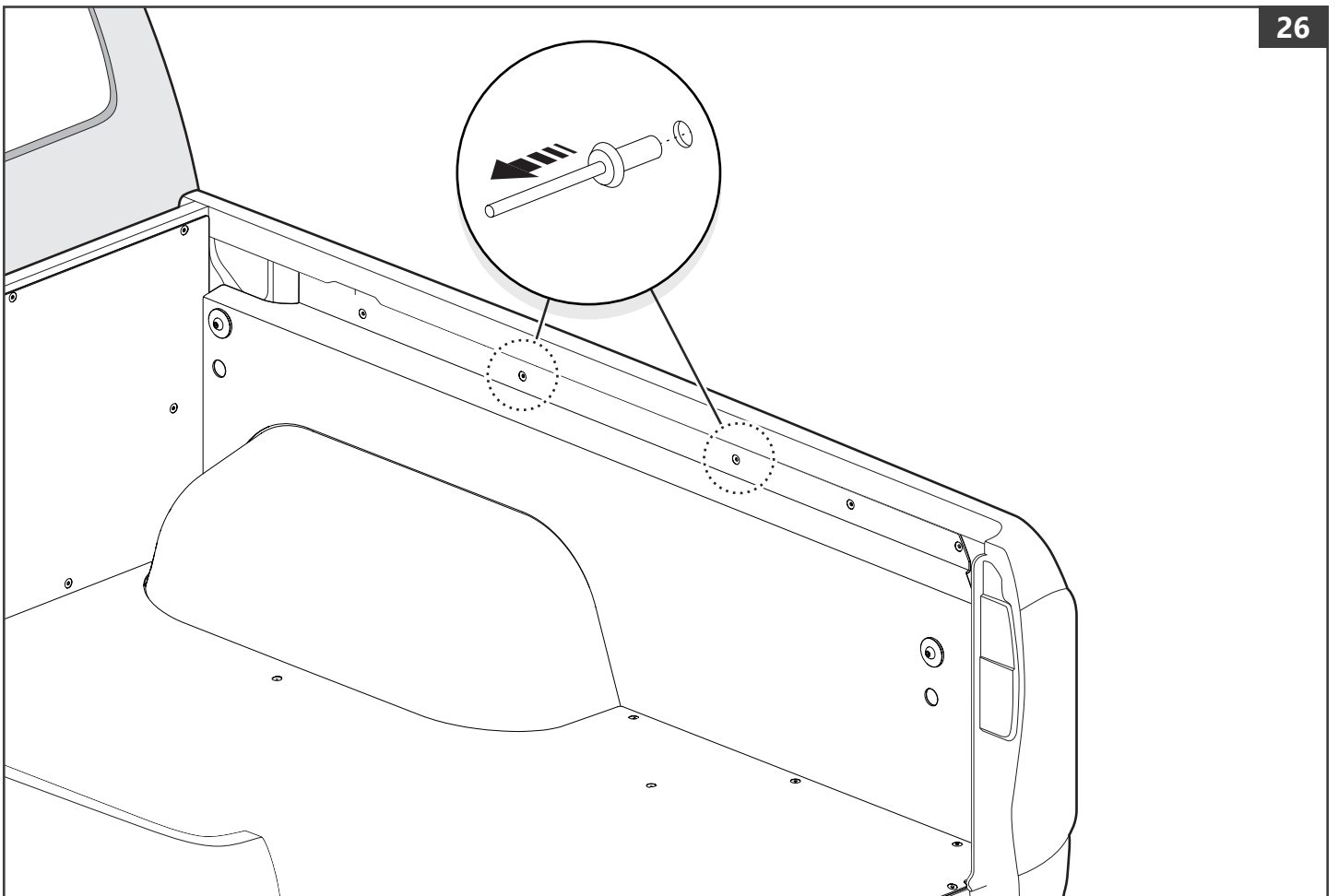
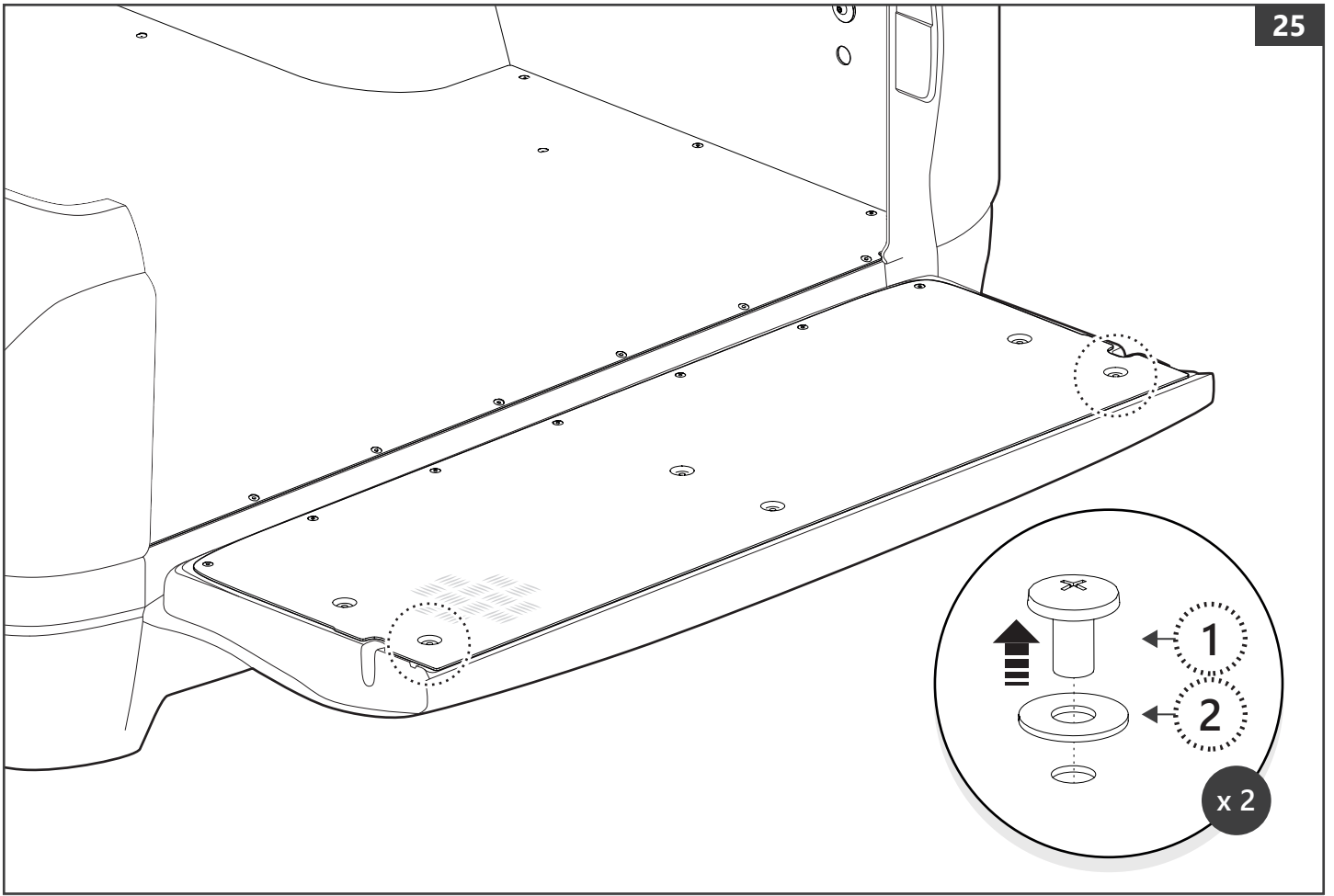


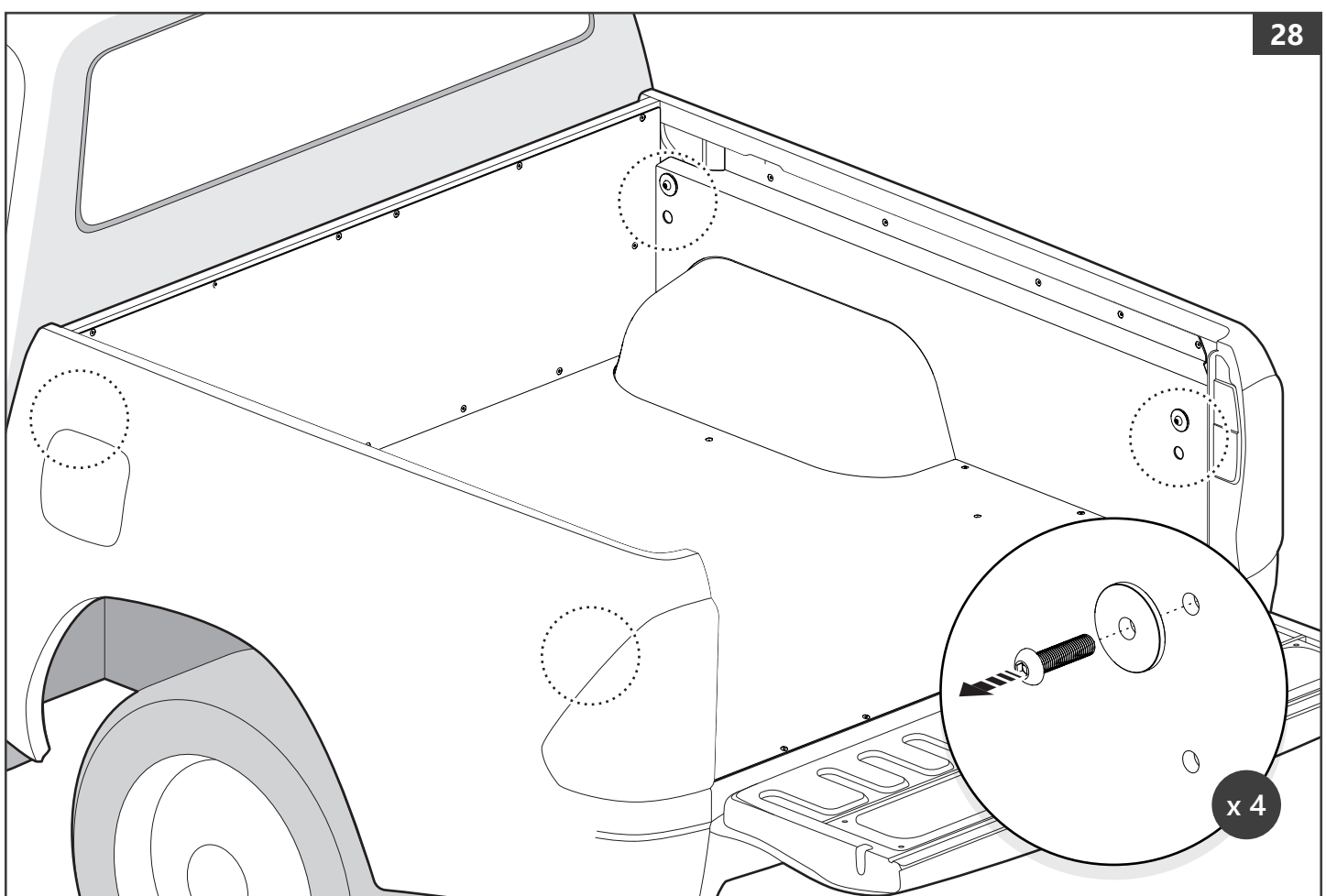
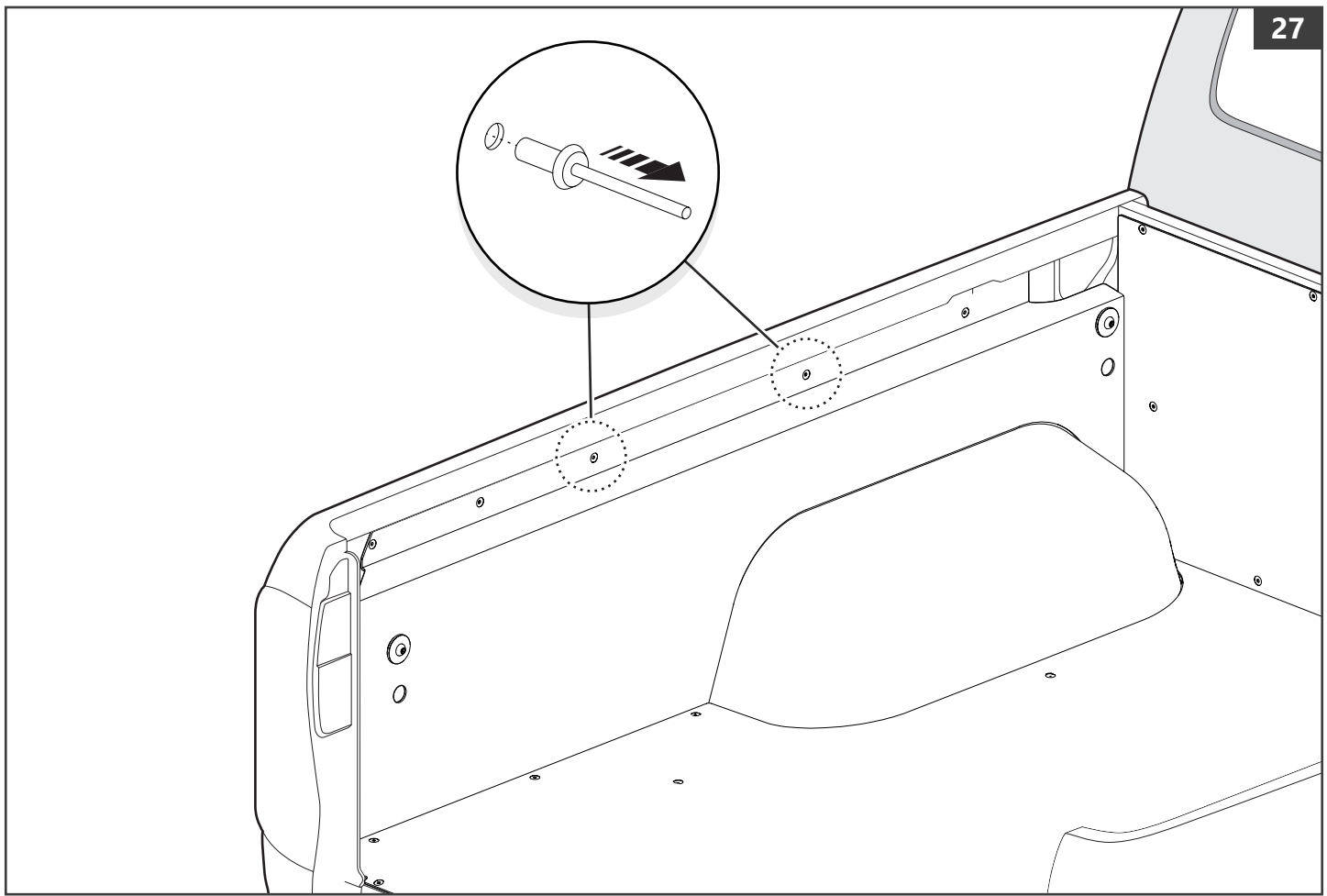


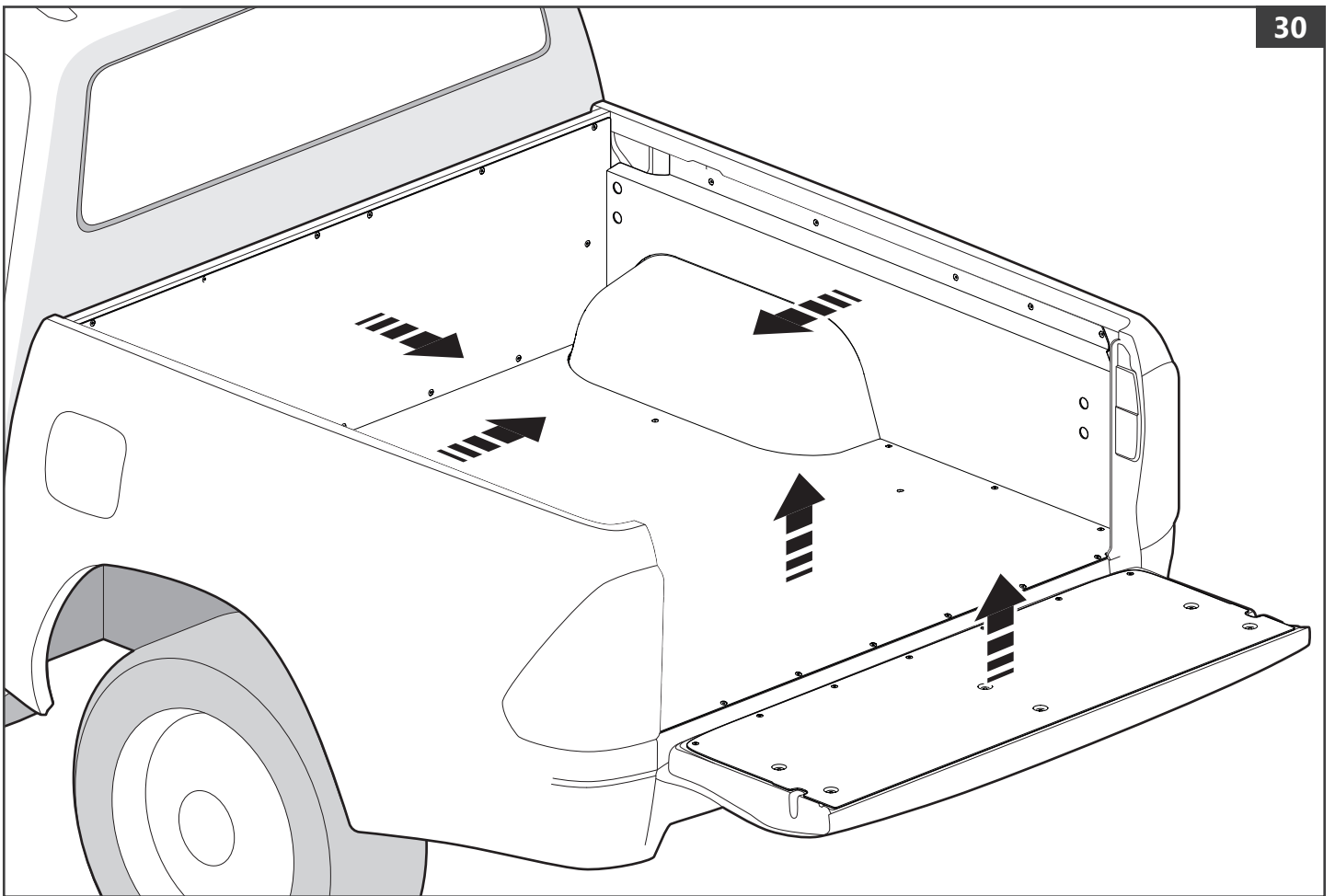
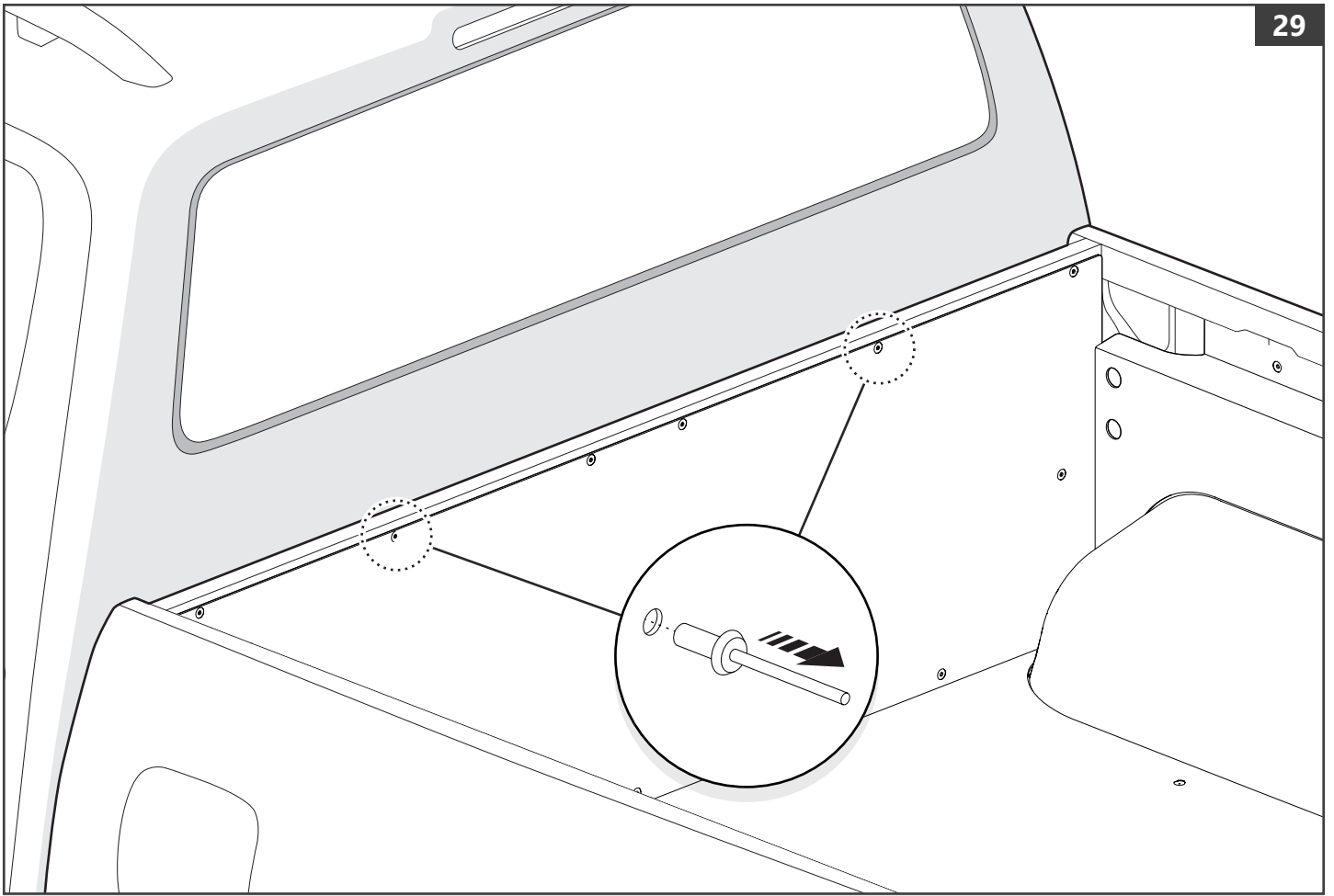


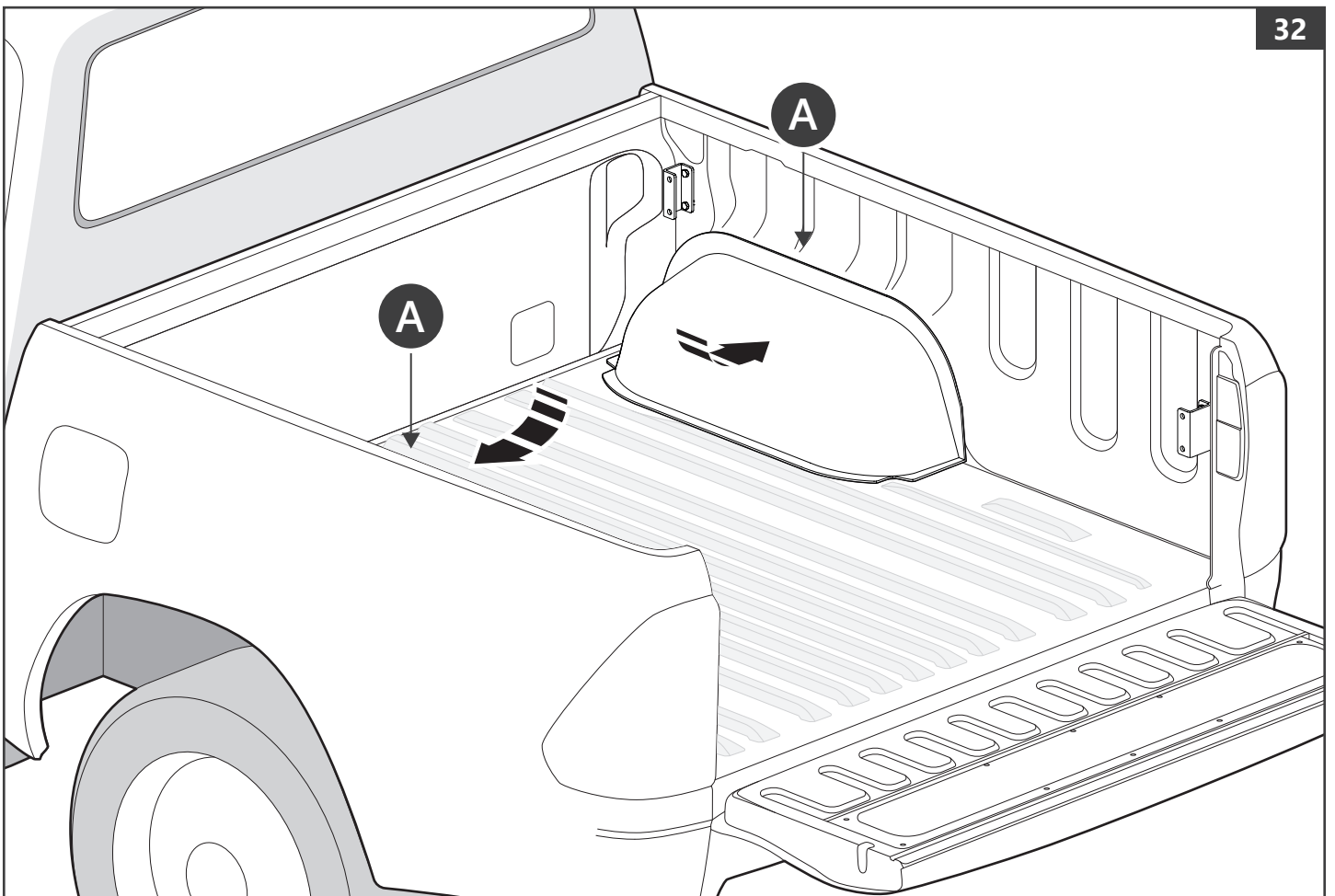
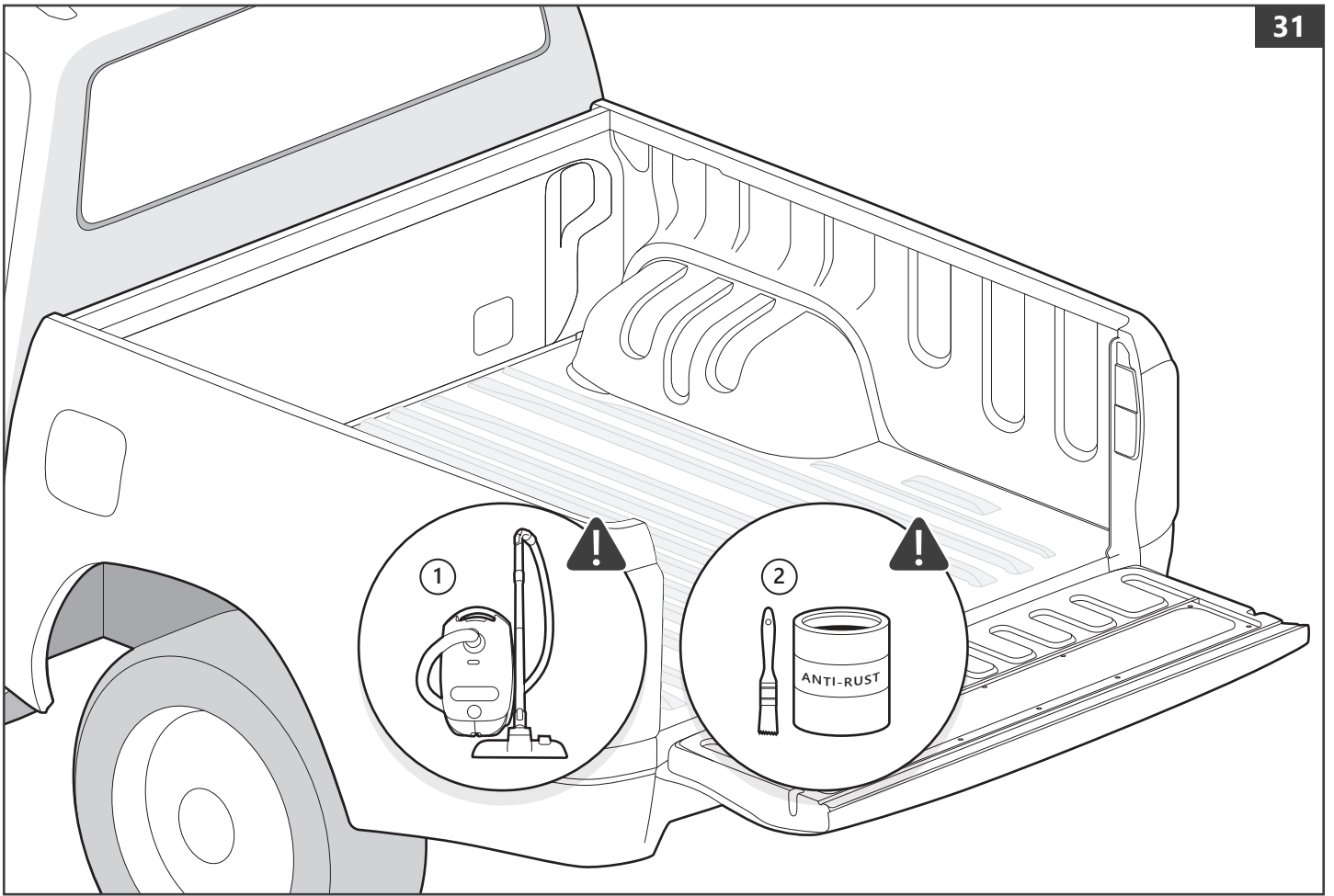


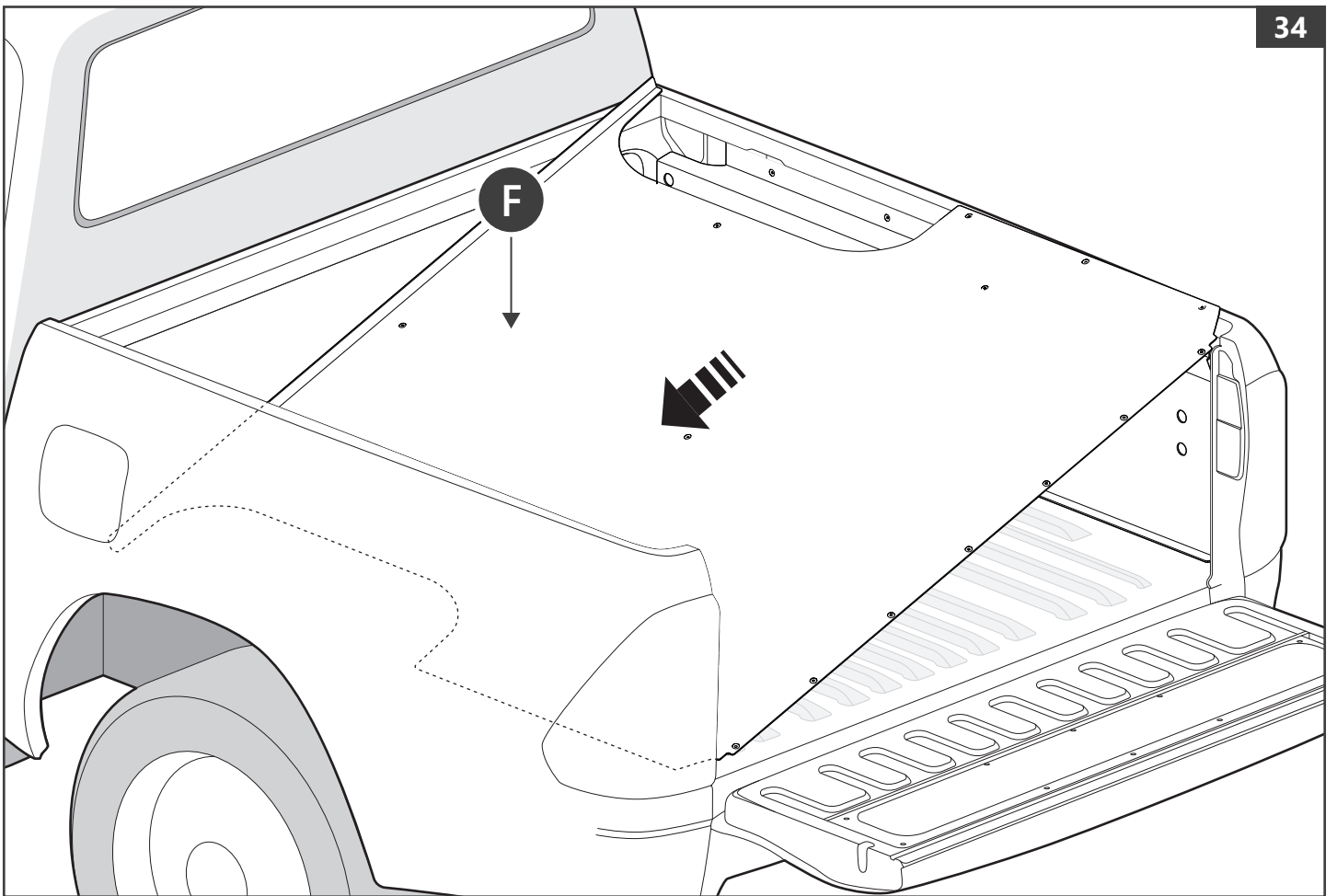
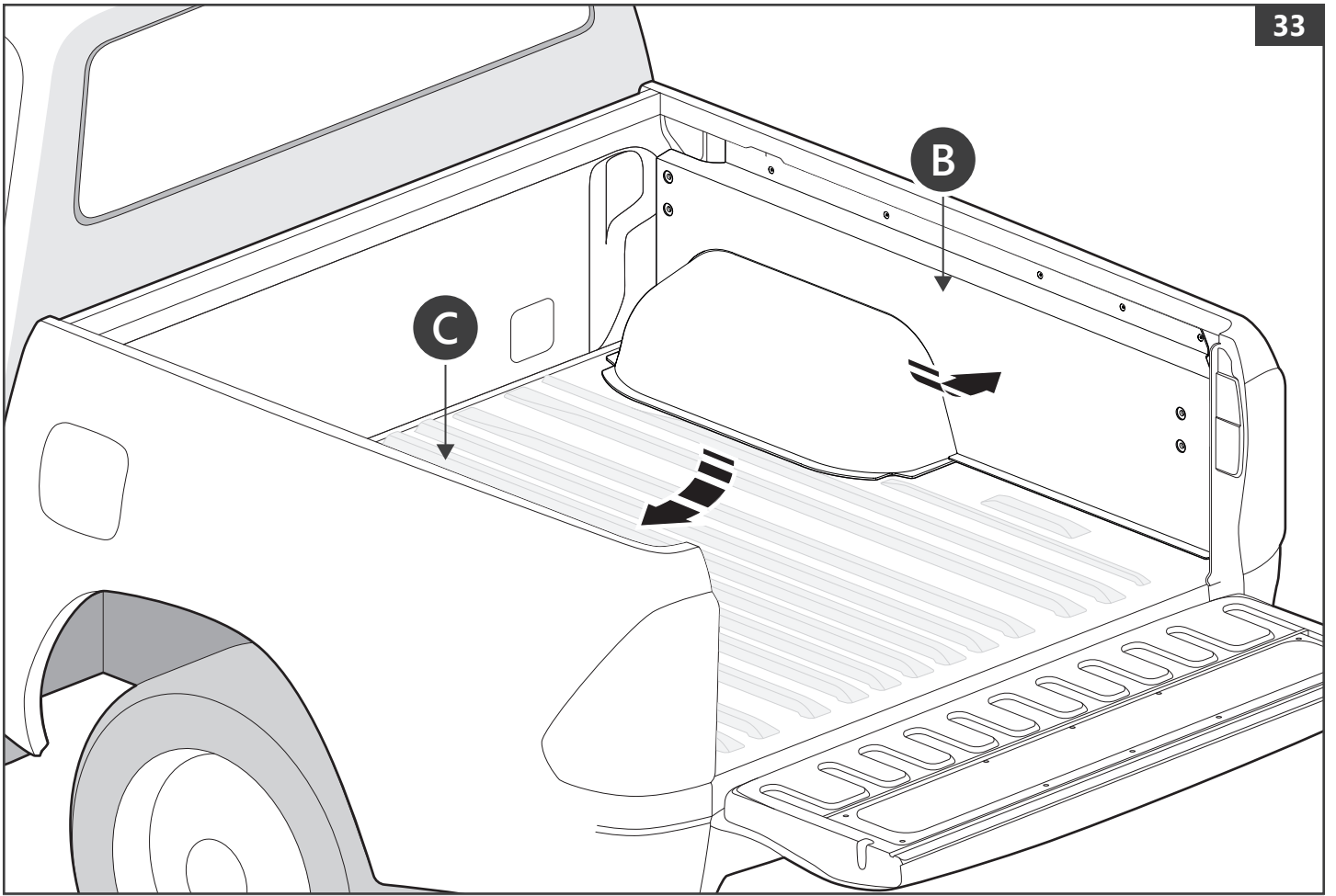


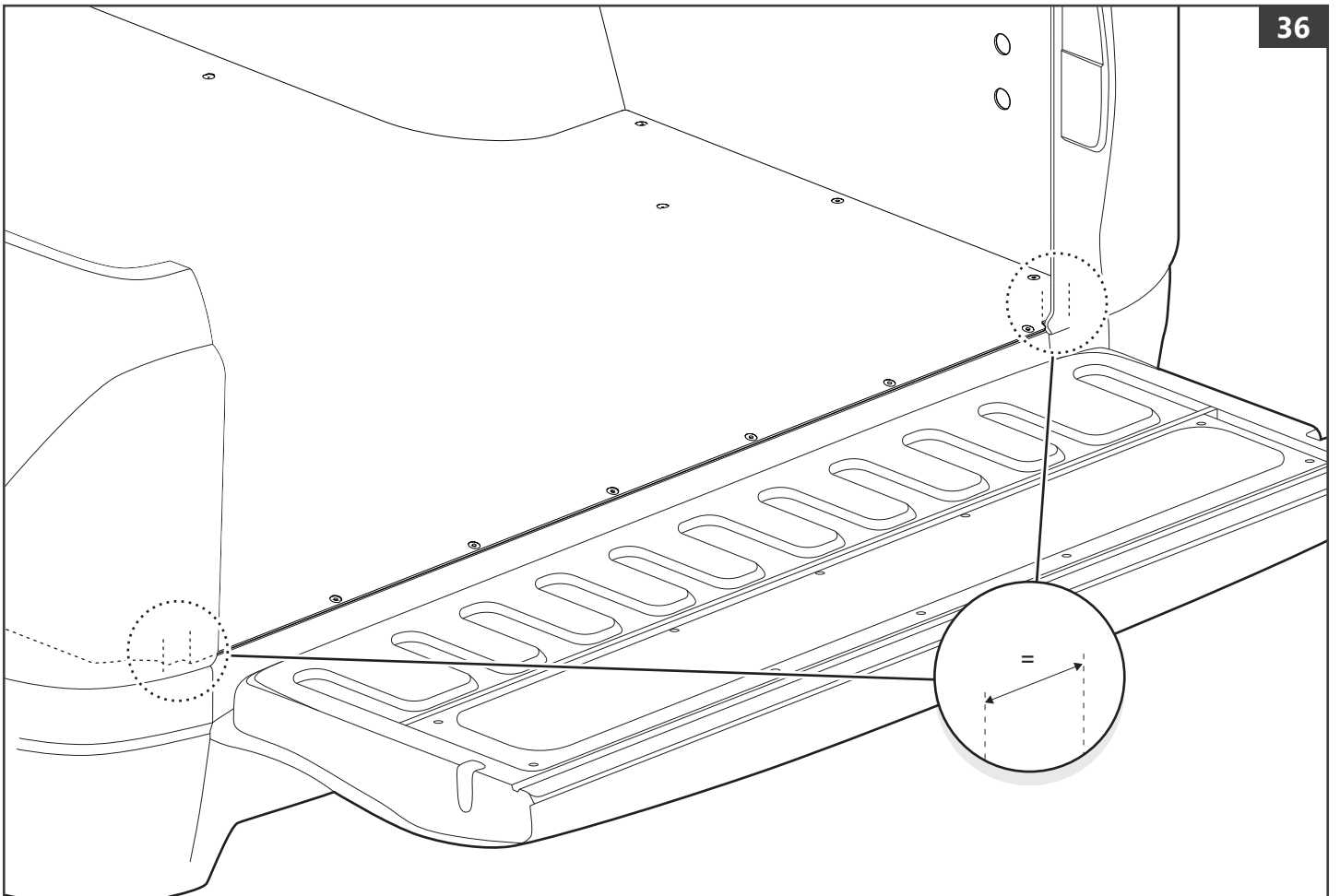
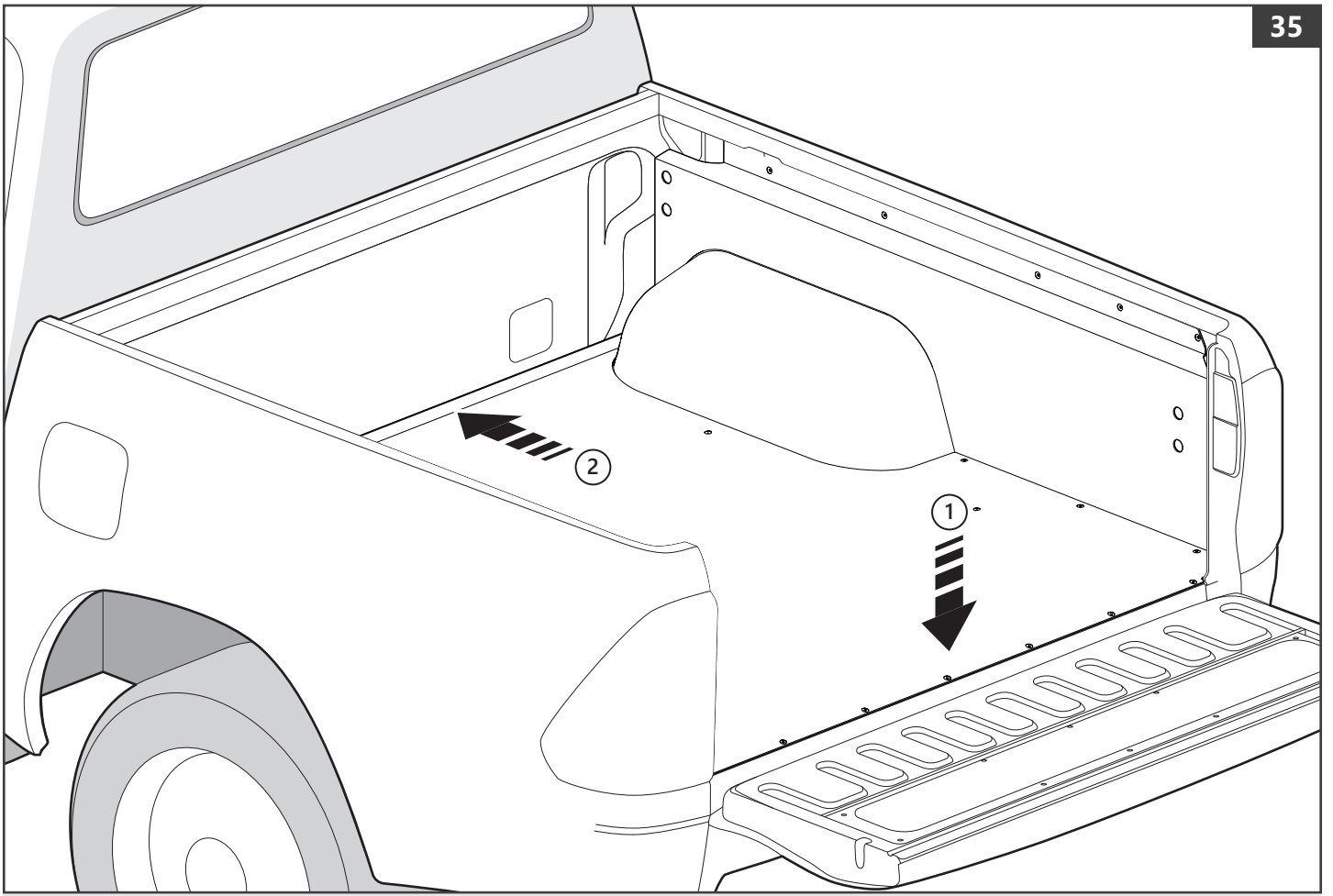


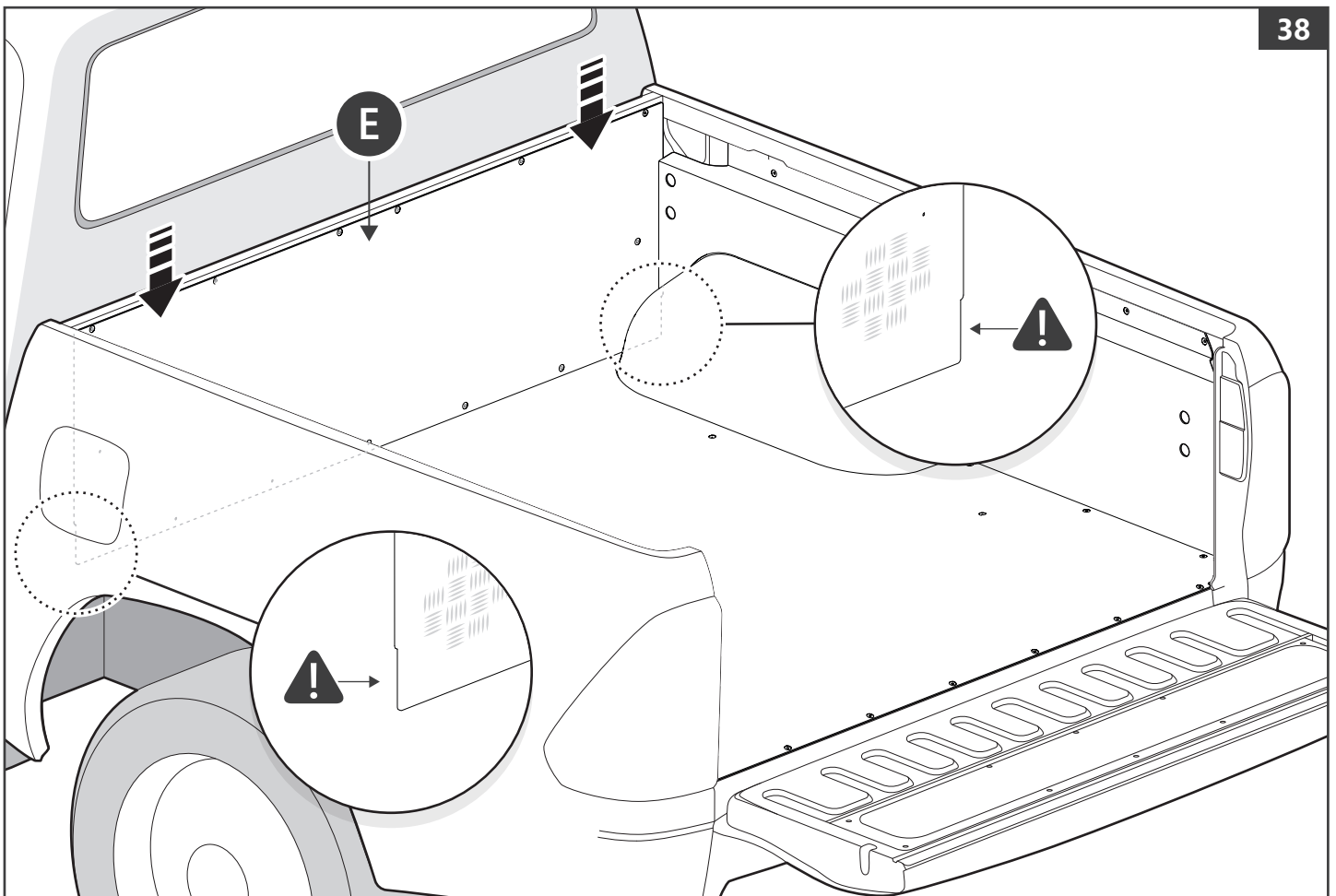
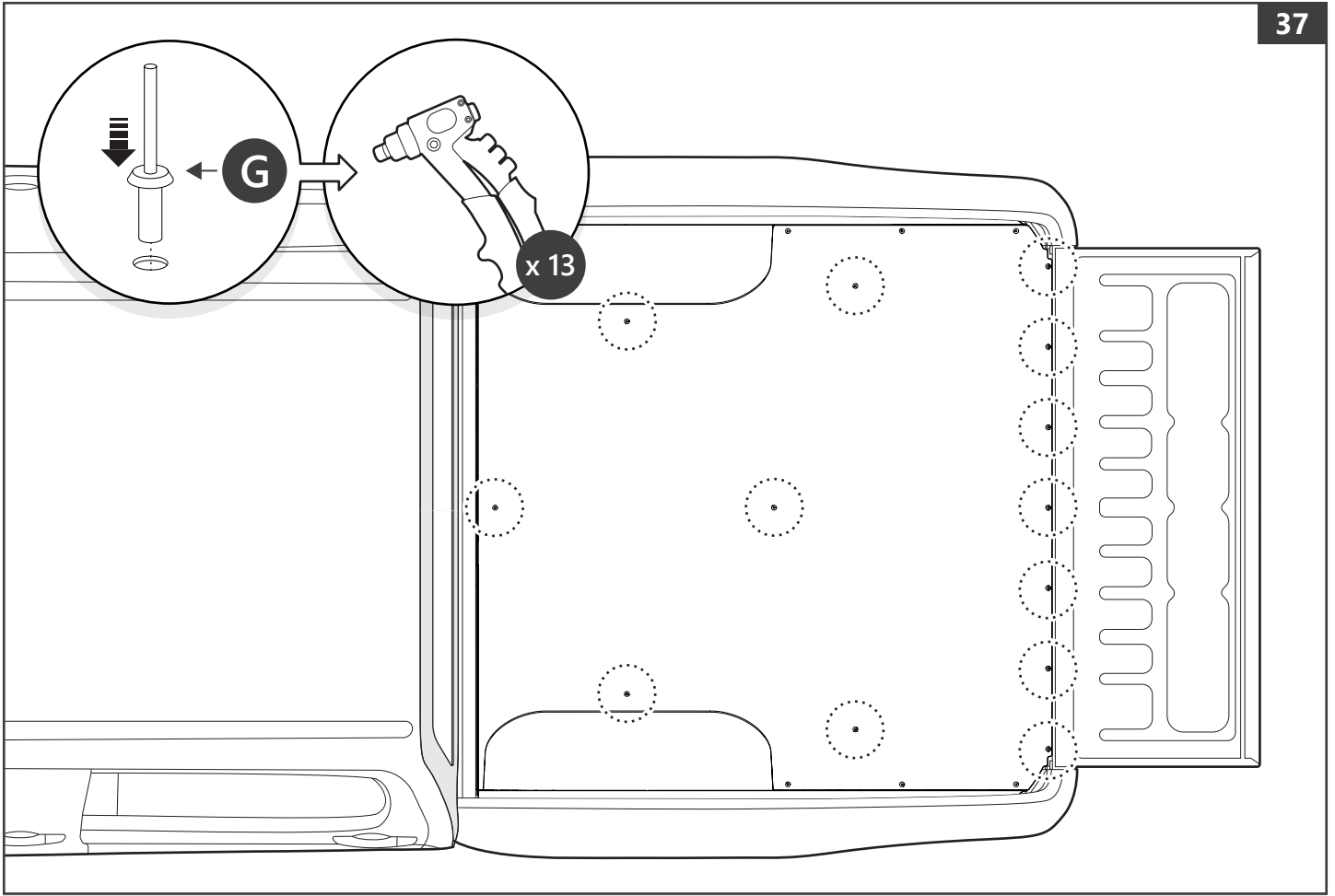


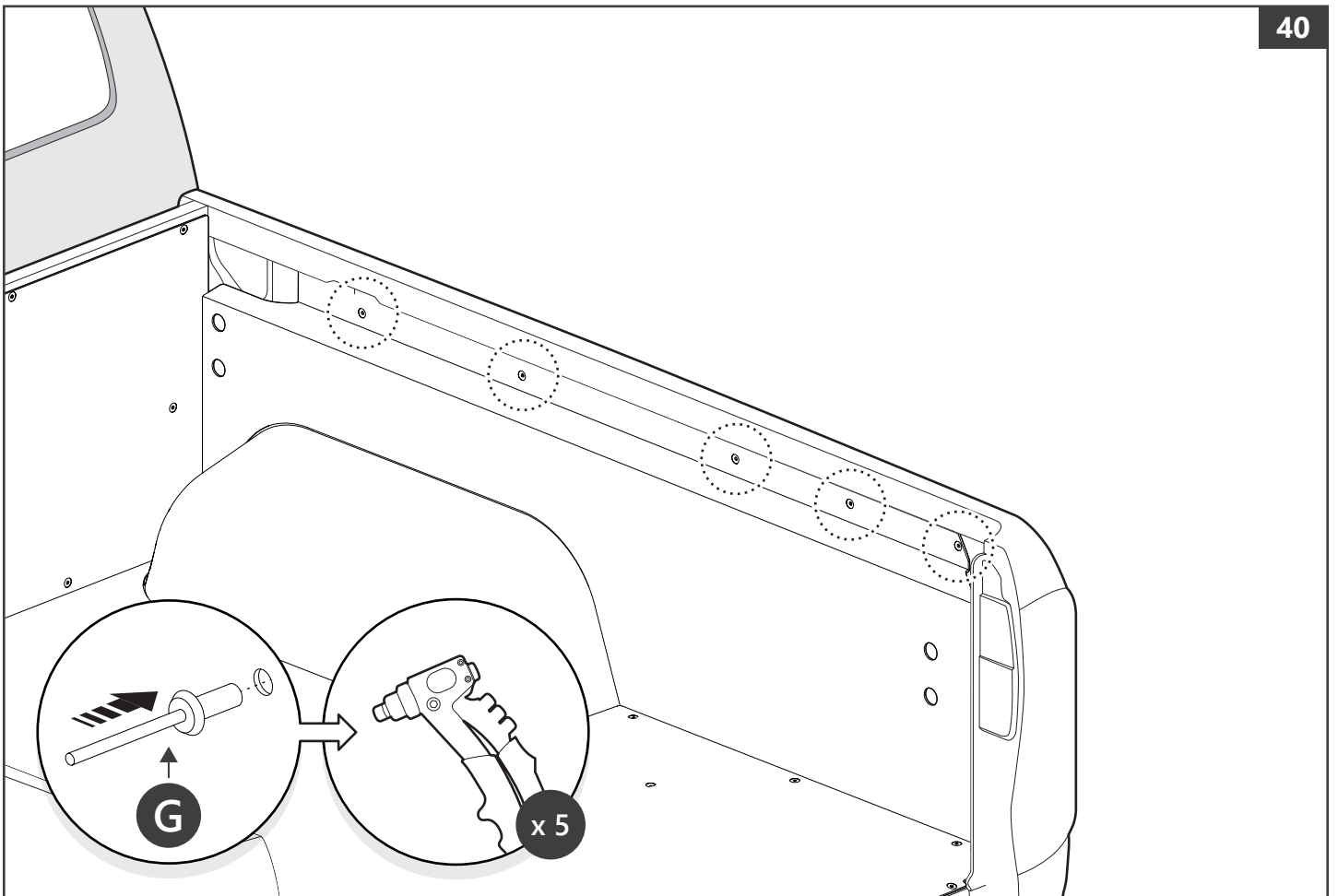
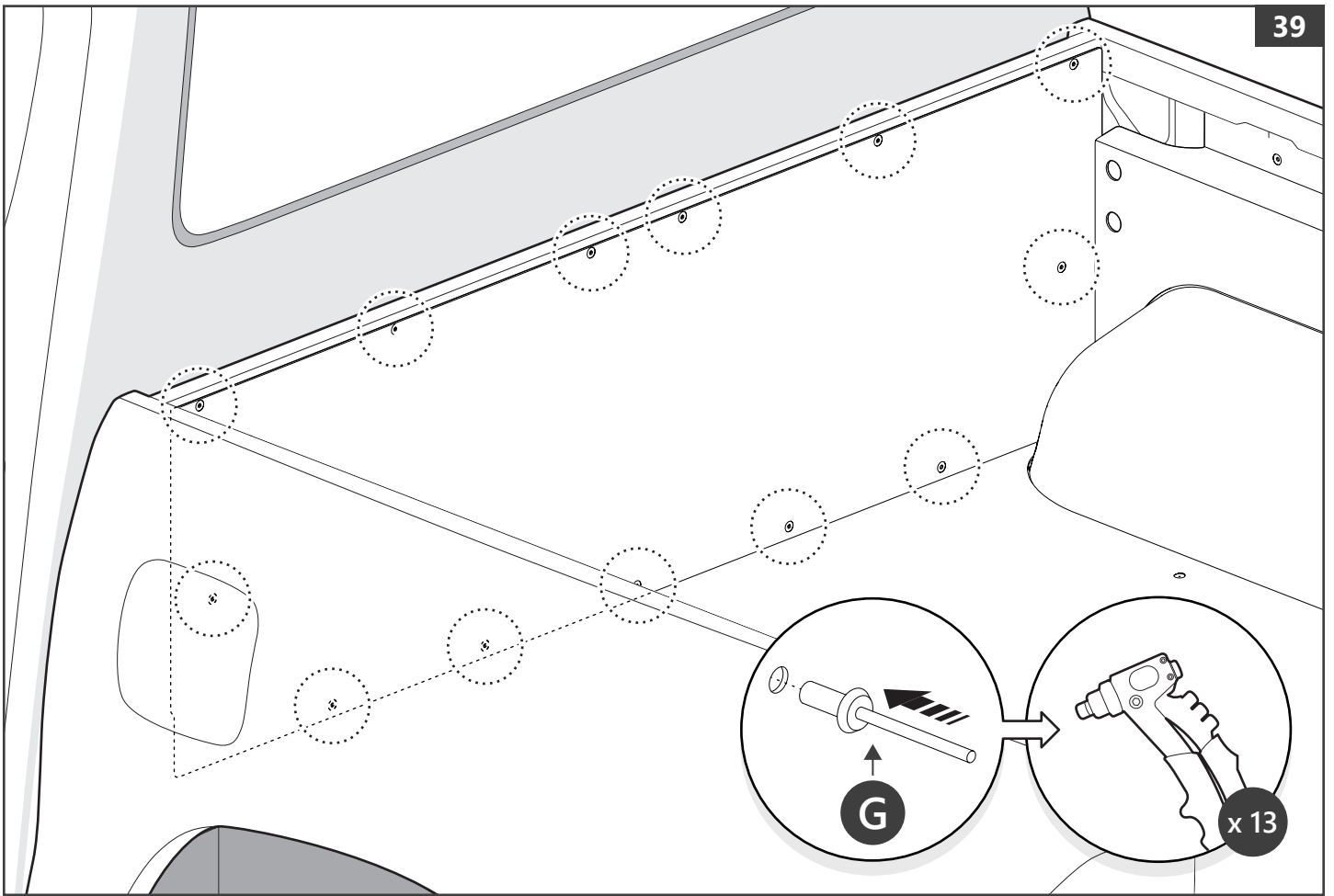


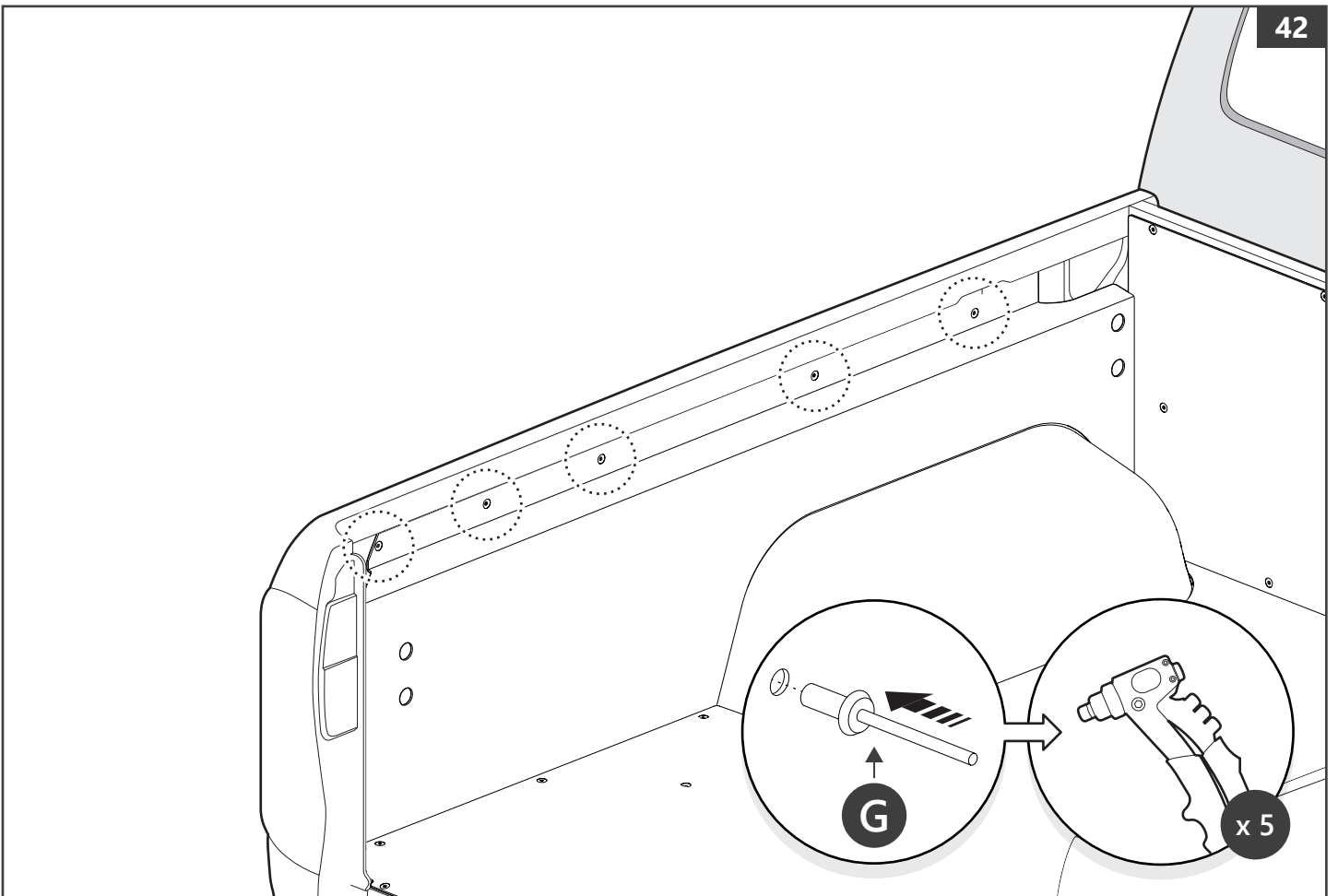
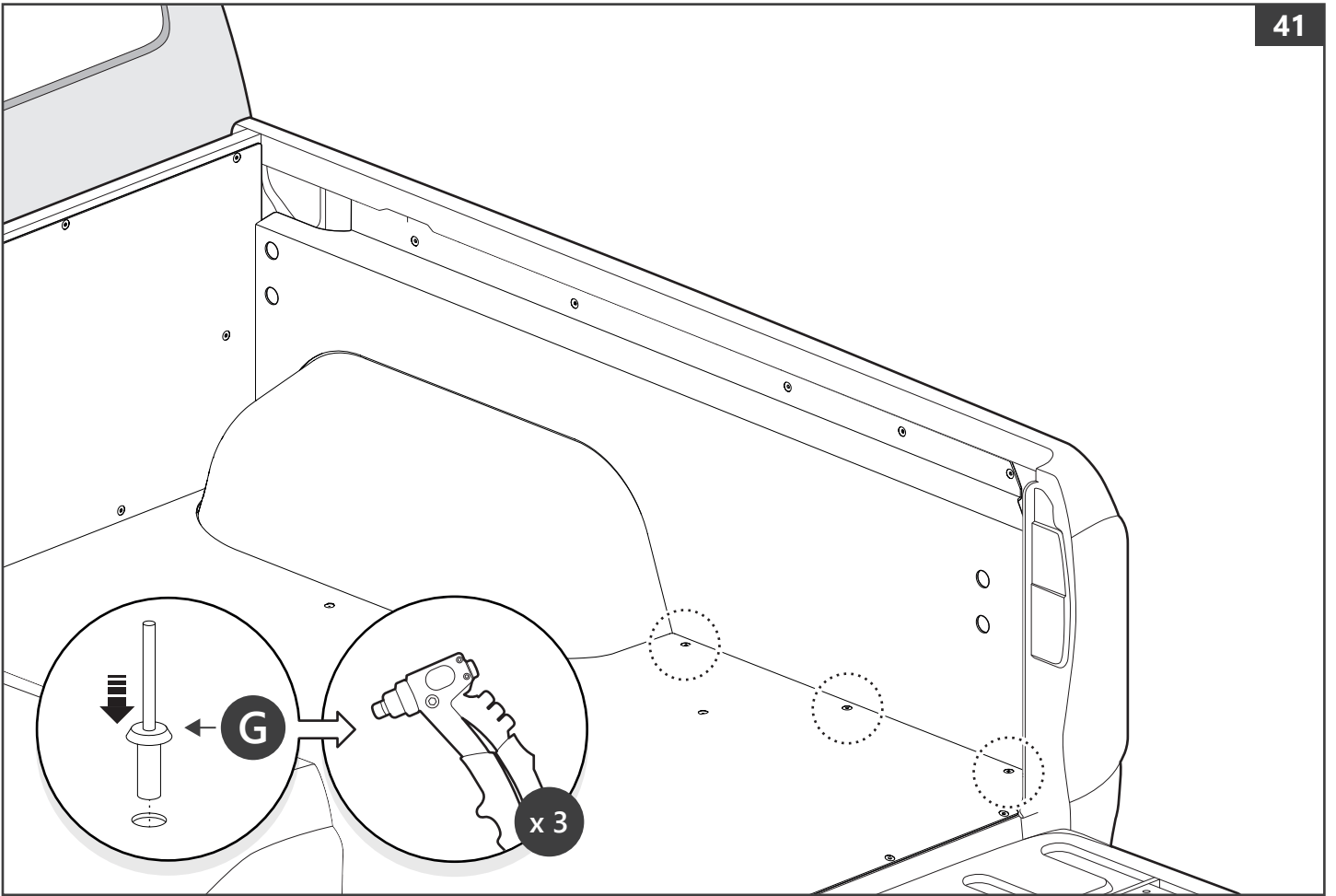


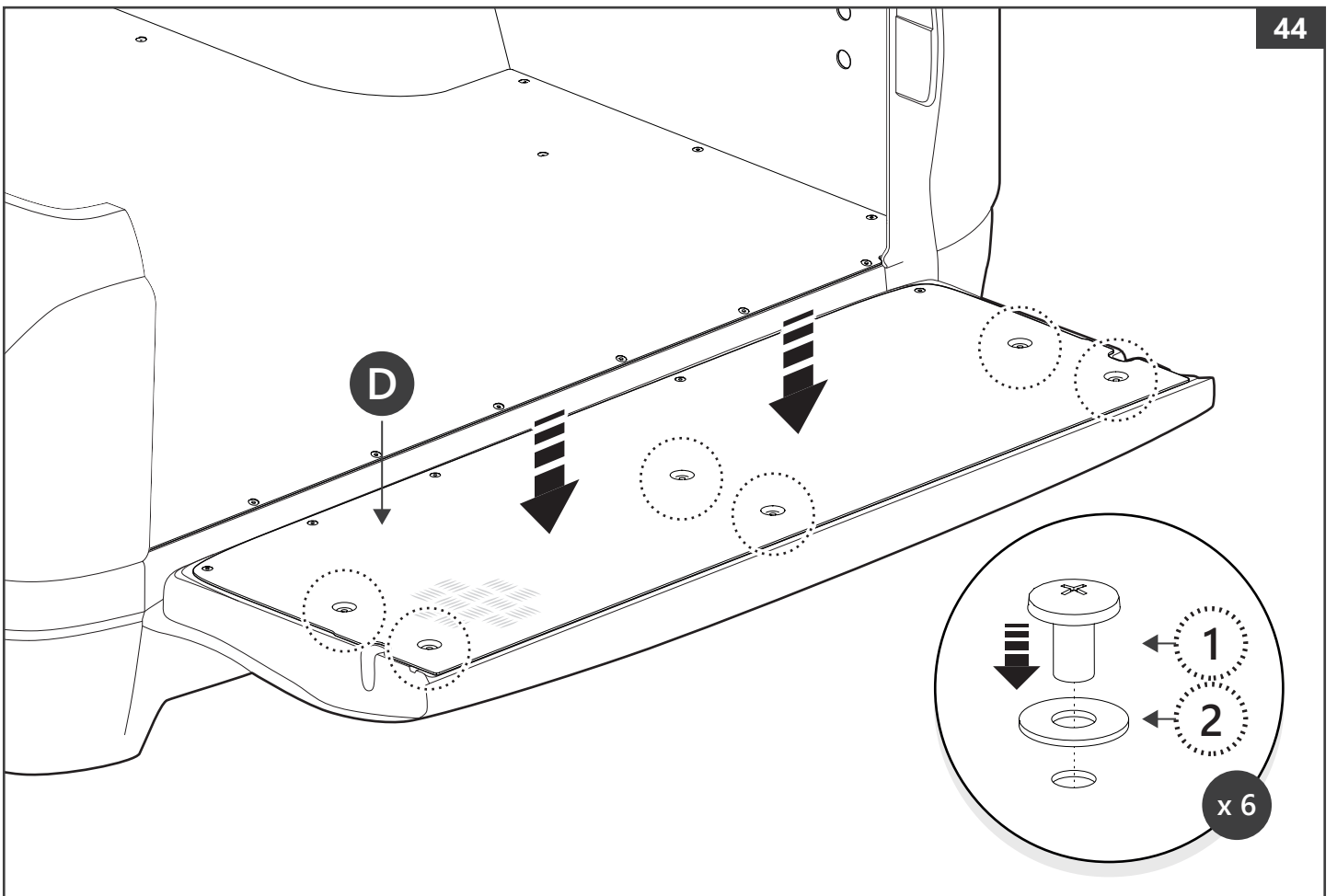
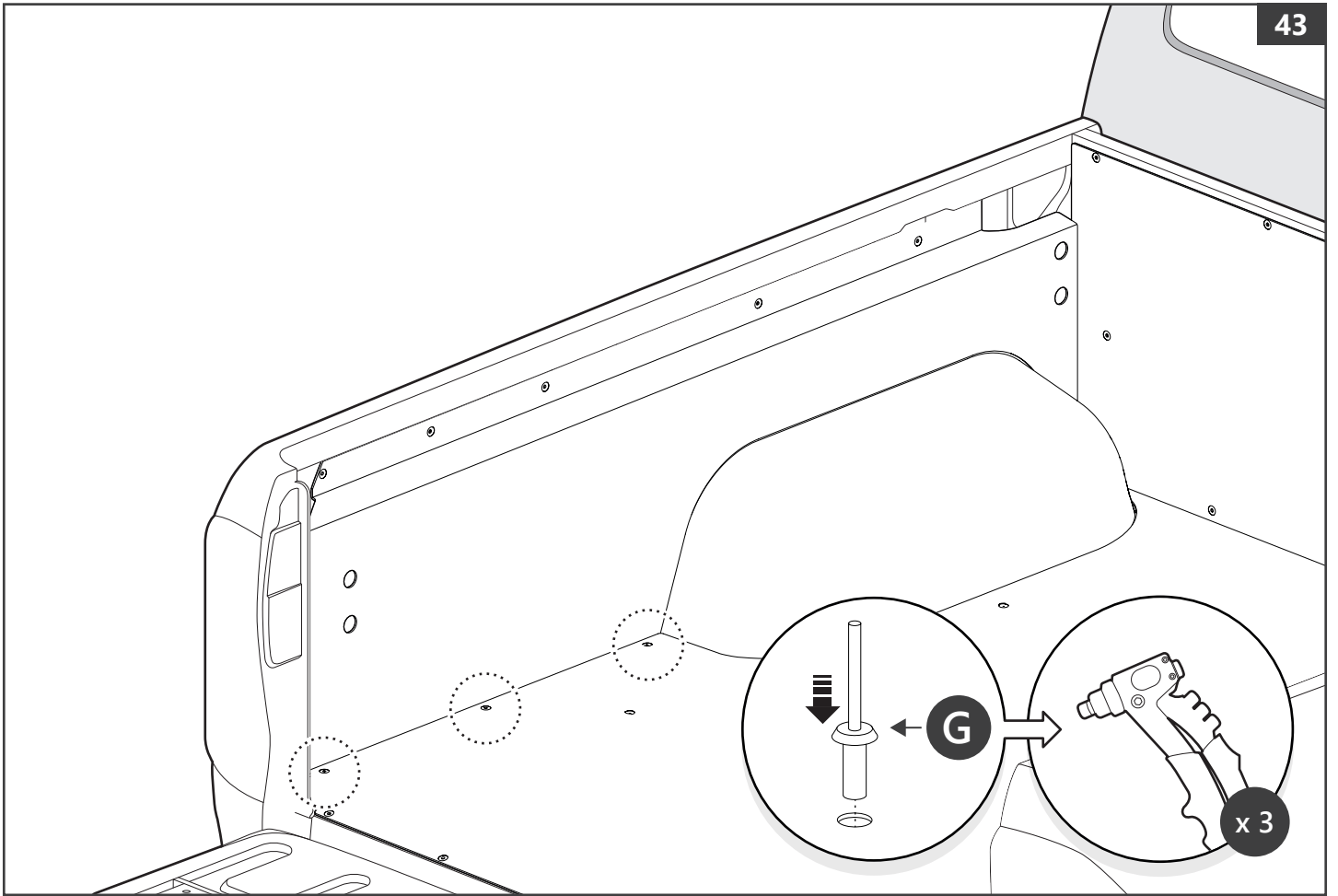


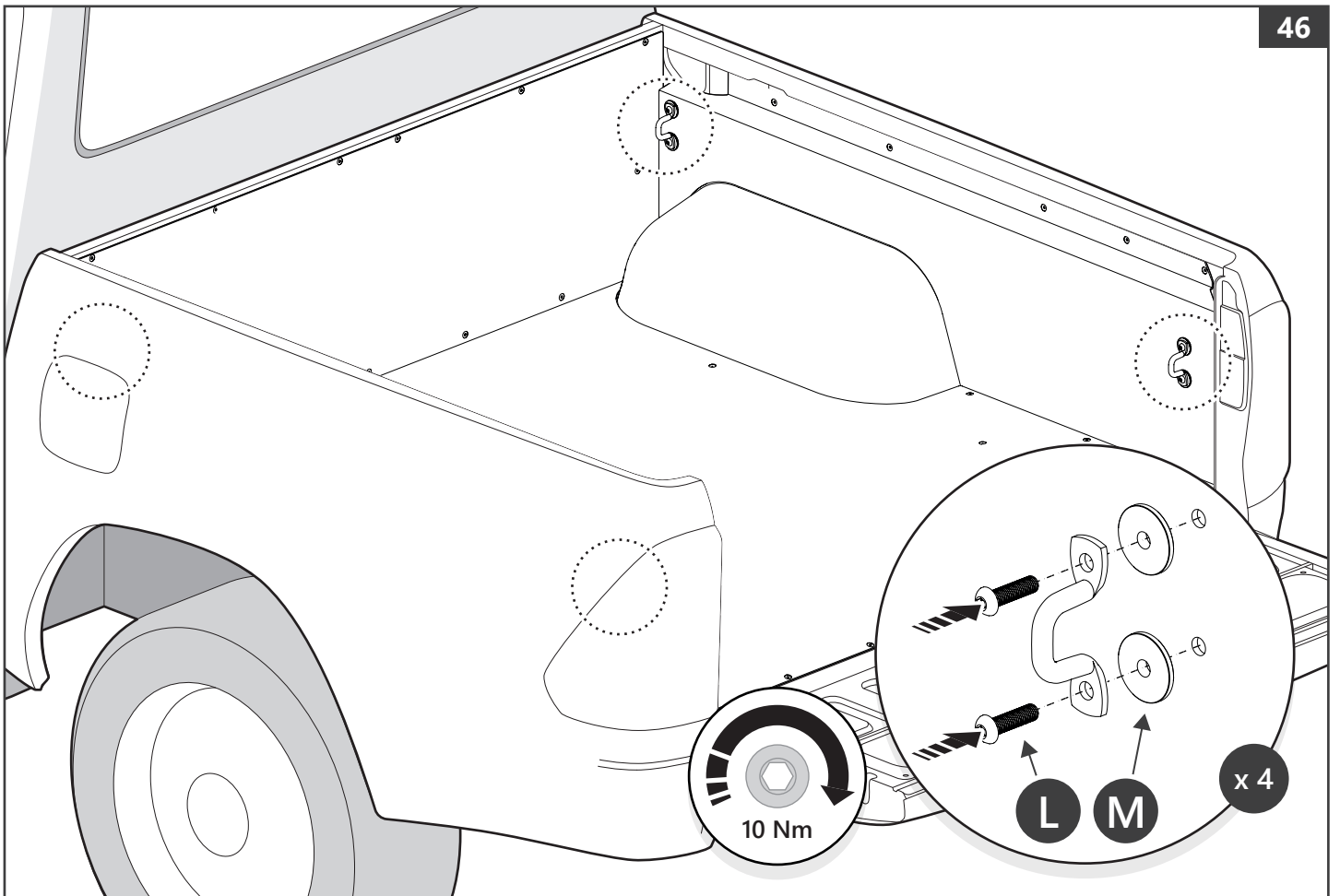
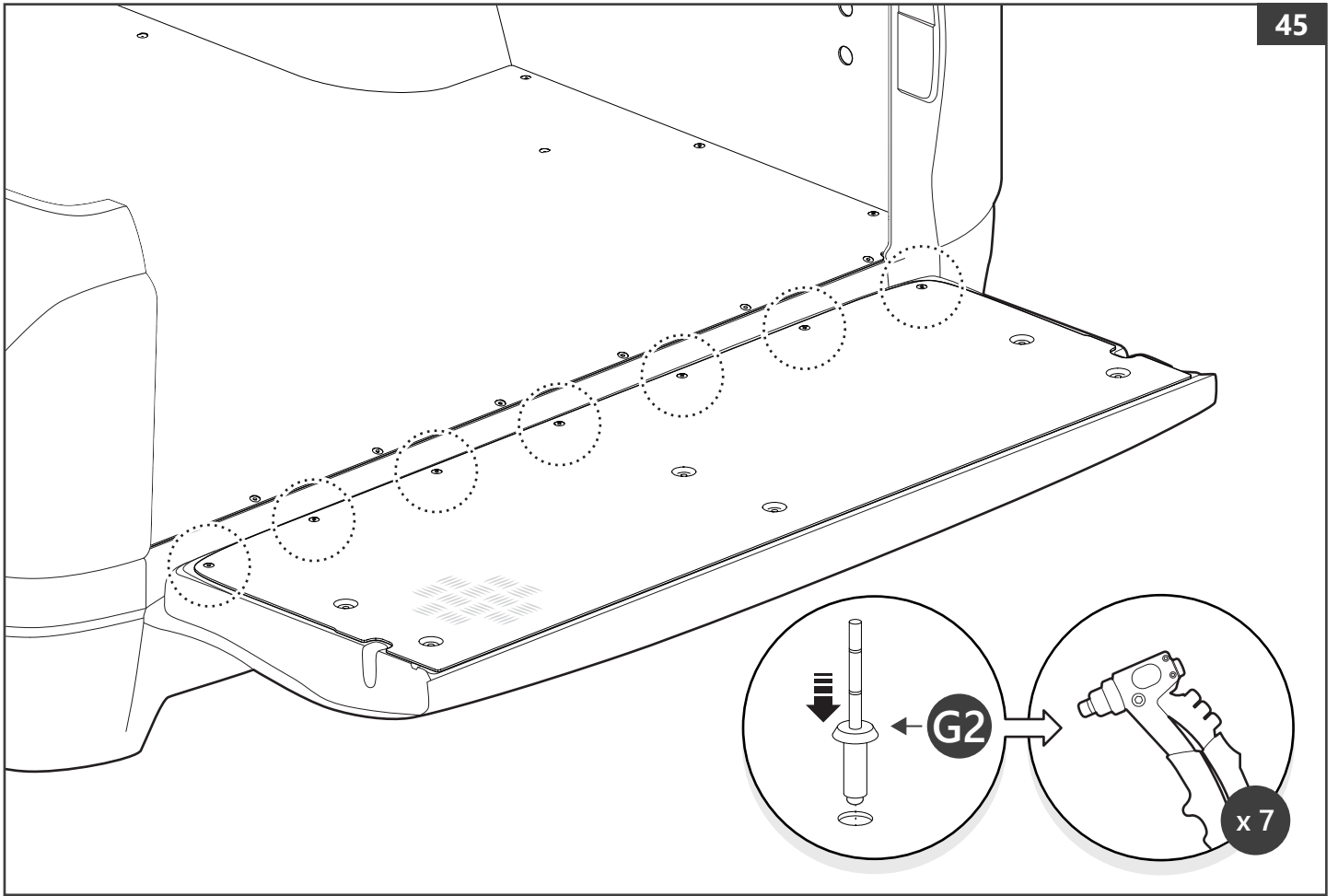














Customer Service +45 4810 2950 (08:00 - 16:00 CET)
Fax +45 4810 2960
Support info@mountaintop.dk
Website www.mountaintop.dk
Address Pedersholmparken 10, 3600 Frederikssund, Denmark

PART NUMBER(S)	MODEL / YEAR	CAB TYPE(S)	INSTALLATION TIME	WEIGHT
AL TO90	Toyota / 2015 →	Double	1 hour(s)	32 Kg

GB Installation manual	S Monteringsanvisning	D Einbauanleitung
SF Asennusohje	E Instrucciones de montaje	CZ Návod k instalaci
F Notice de montage	H Szerelési utasítás	I Istruzioni de montaggio
PL Instrukcja montażu	P Instruções de instalação	GR Οδηγίες Εγκατάστασης
NL Installatie-instructies	RUS Инструкция по установке	DK Monteringsvejledning
TR Montaj Talimatı	N Monteringsveiledning	RO Instructiuni de instalare